
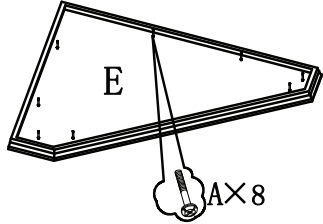
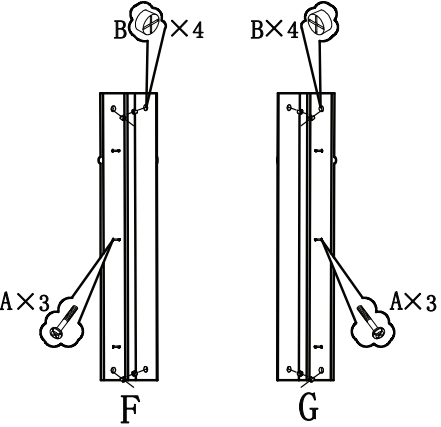
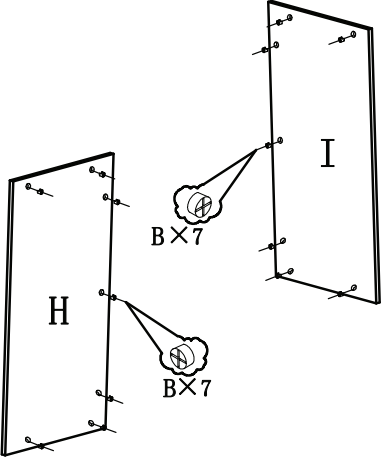
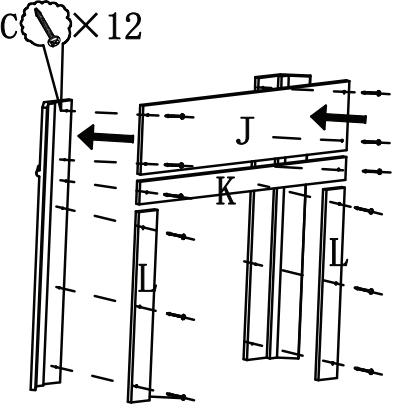


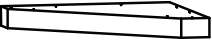


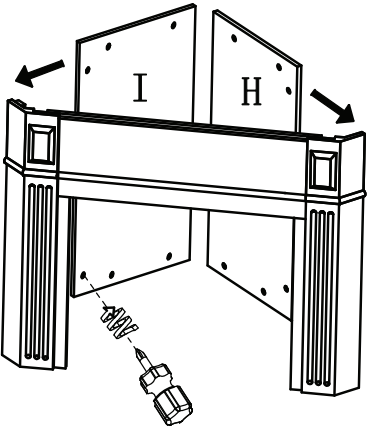
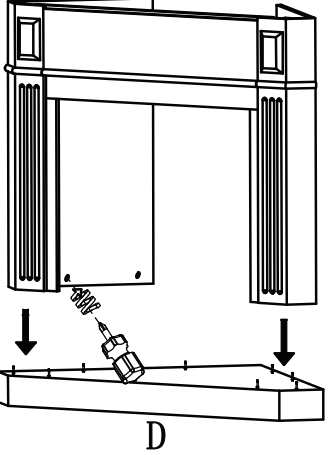
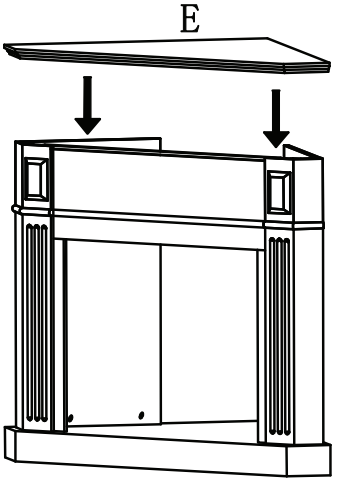
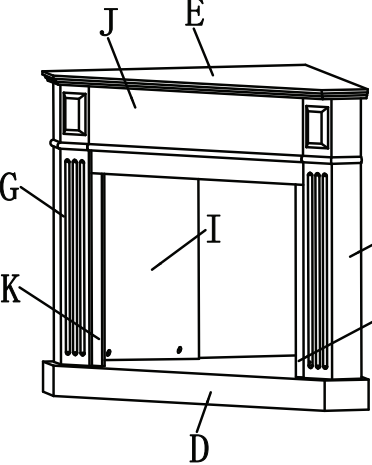





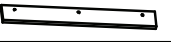


NO	Part	Quantity				
A		22	   			
B		22				
C		12				
D		1				
E		1				
F		1	   			
G		1				
H		1				
I		1				
J		1				
K		1				
L		2				

