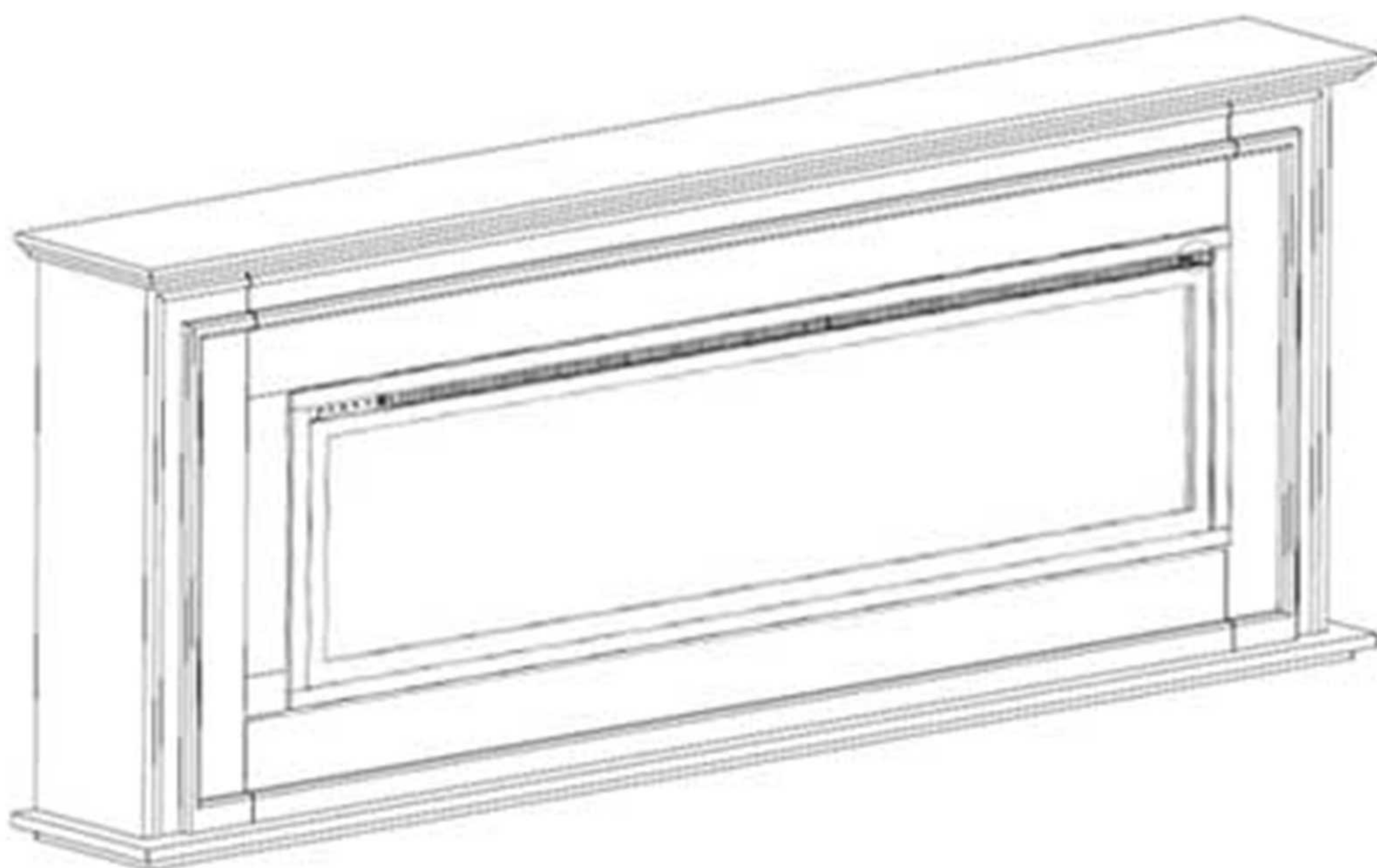


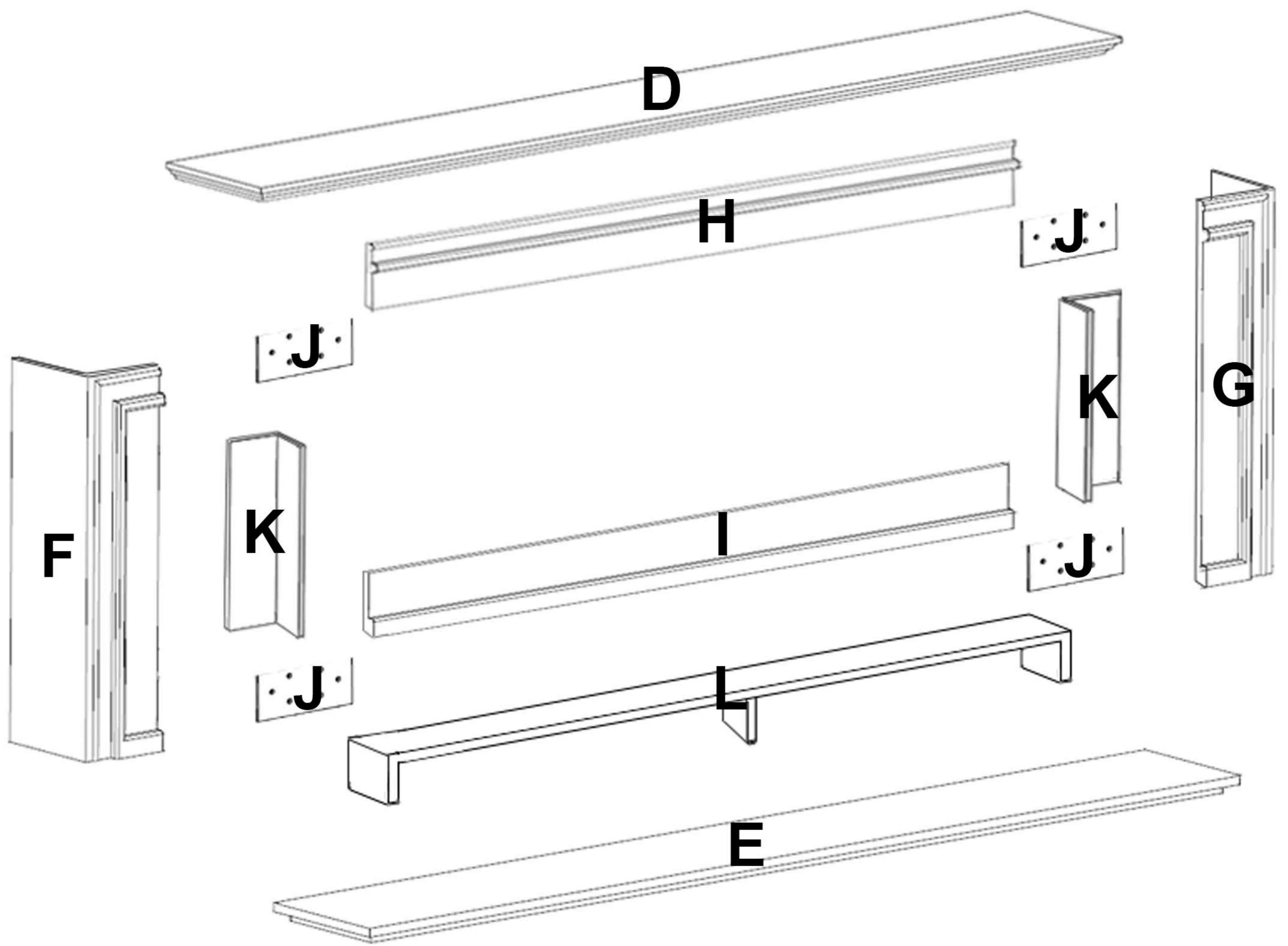
# FIREPLACE MANTEL

ASSEMBLY INSTRUCTIONS

## ETON MANTEL



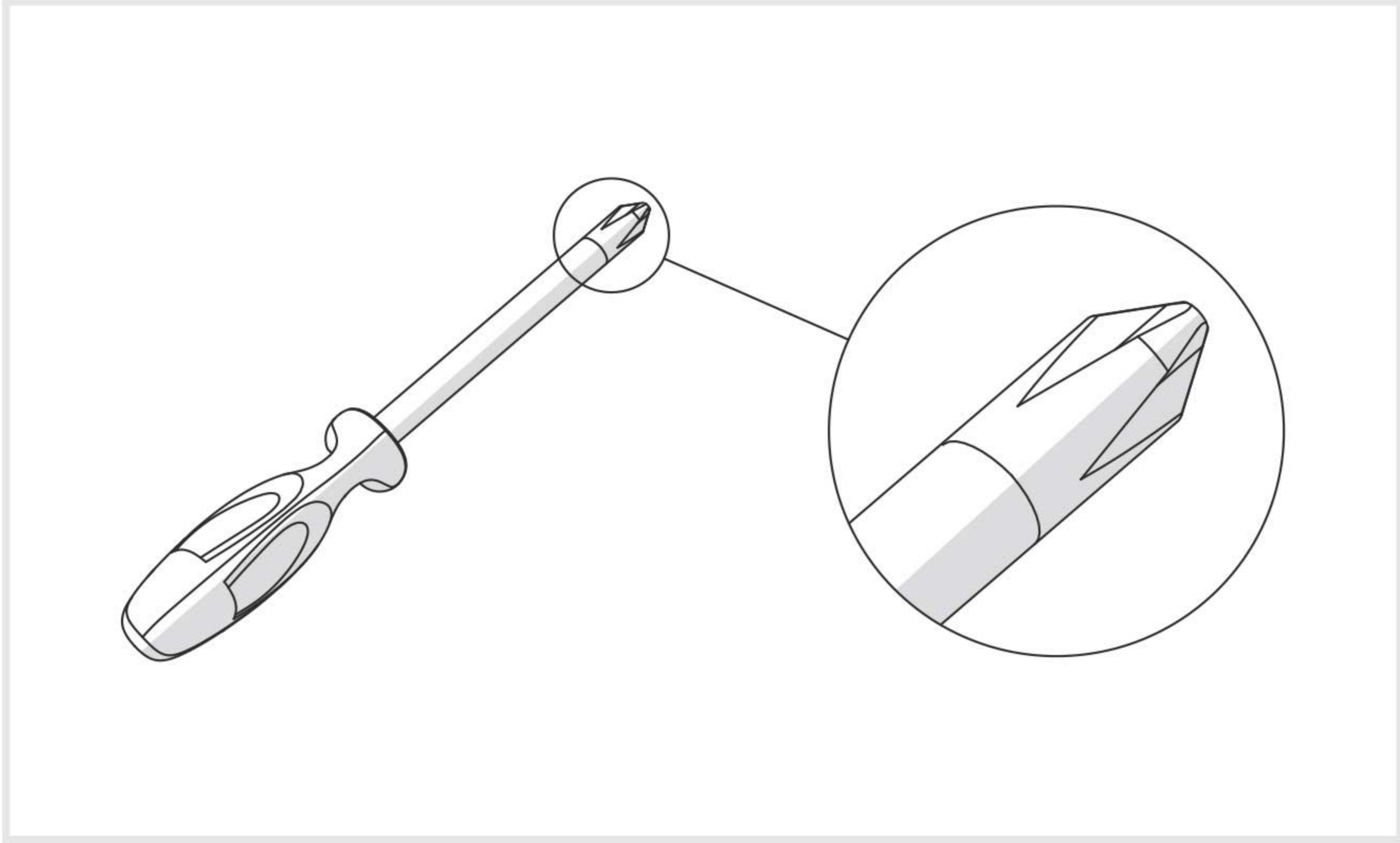
# PARTS LIST



# PARTS AND ACCESSORIES

**Tools required:**

A screwdriver will be needed.

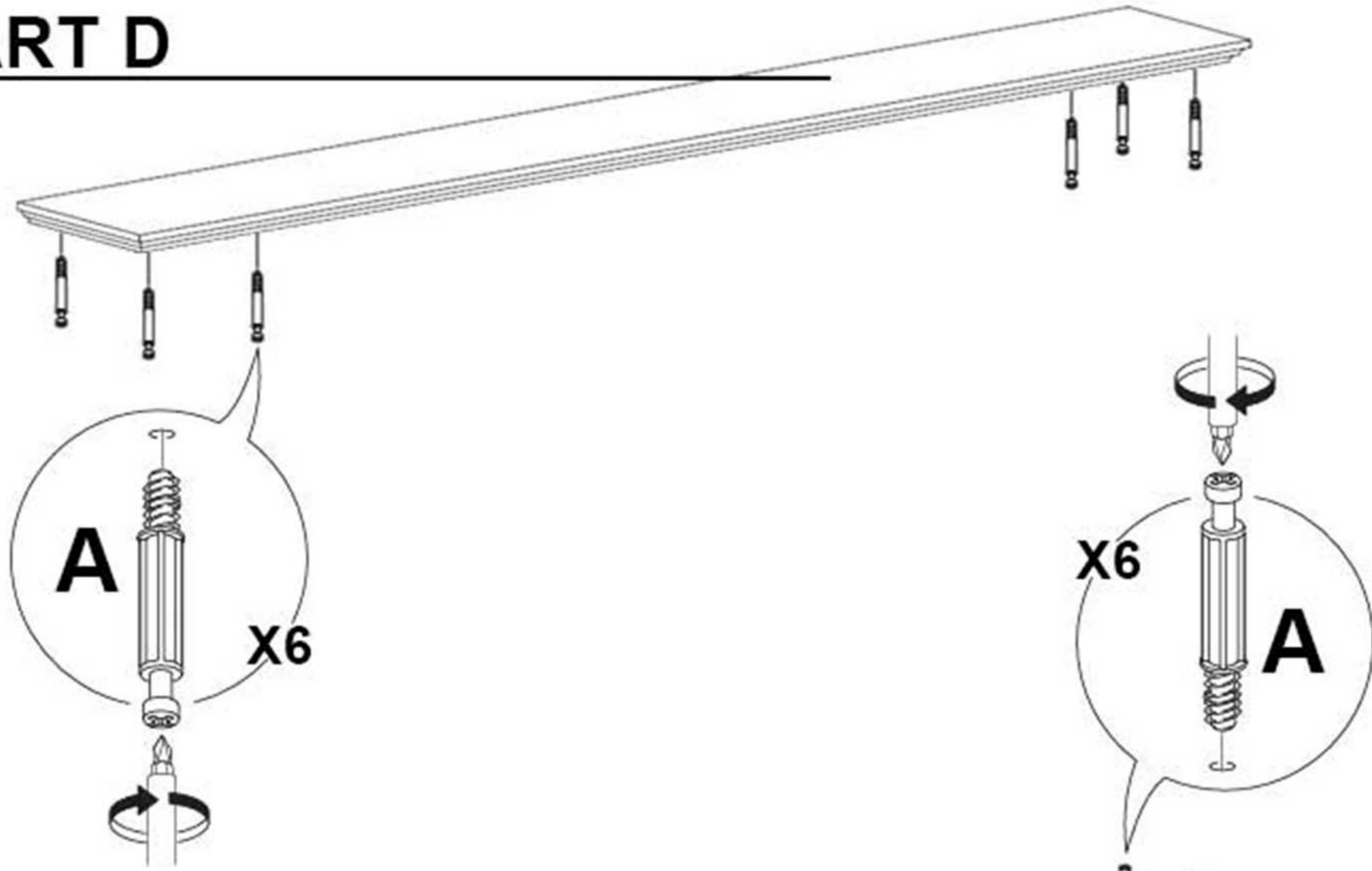


 <b>12x</b>	 <b>12x</b>	 <b>30x</b>
---	--	---

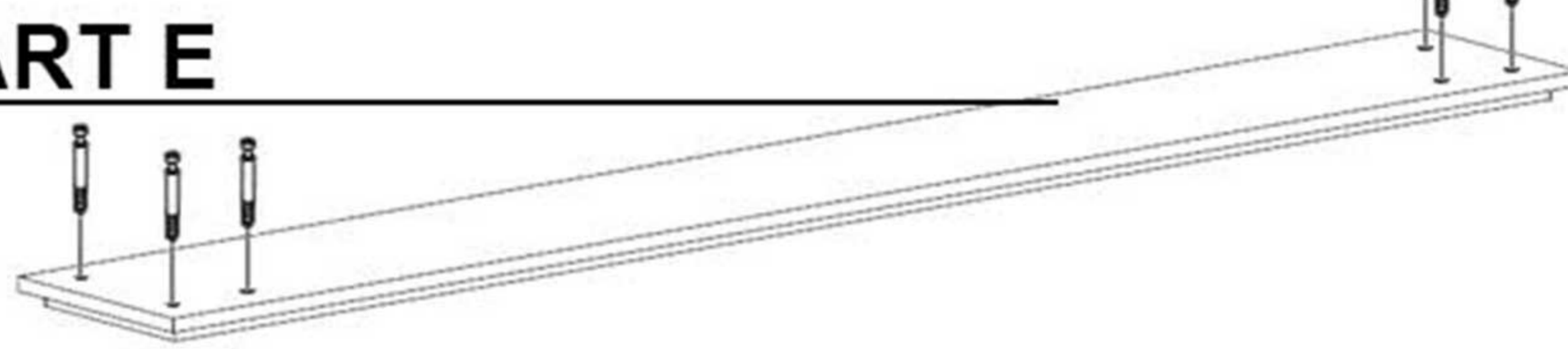
# ASSEMBLY INSTRUCTIONS

## 01

**PART D**

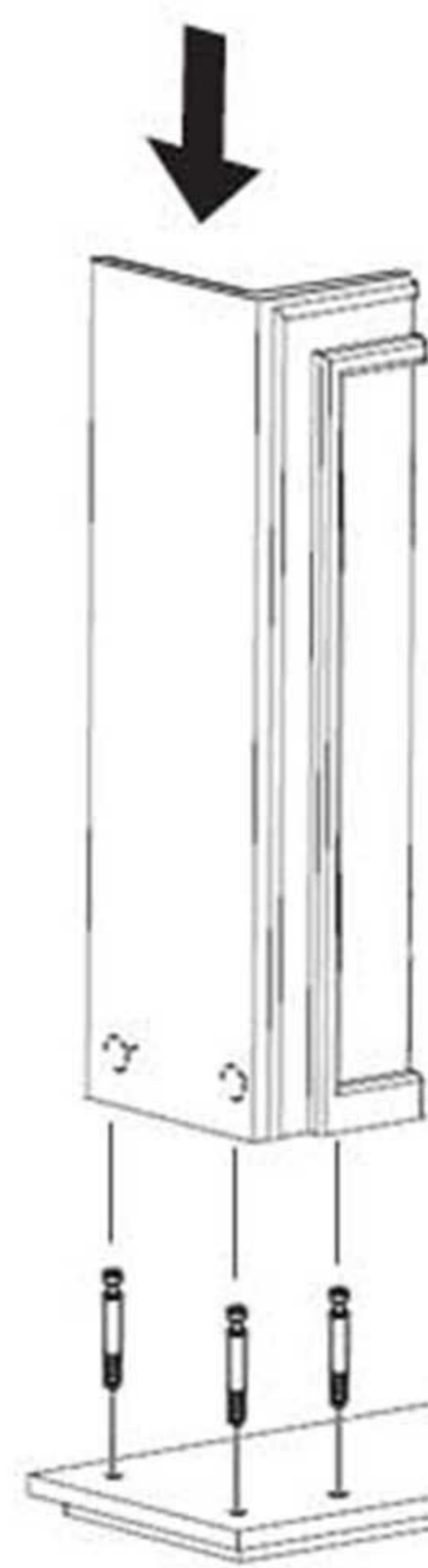


**PART E**



## 02

**PART F**

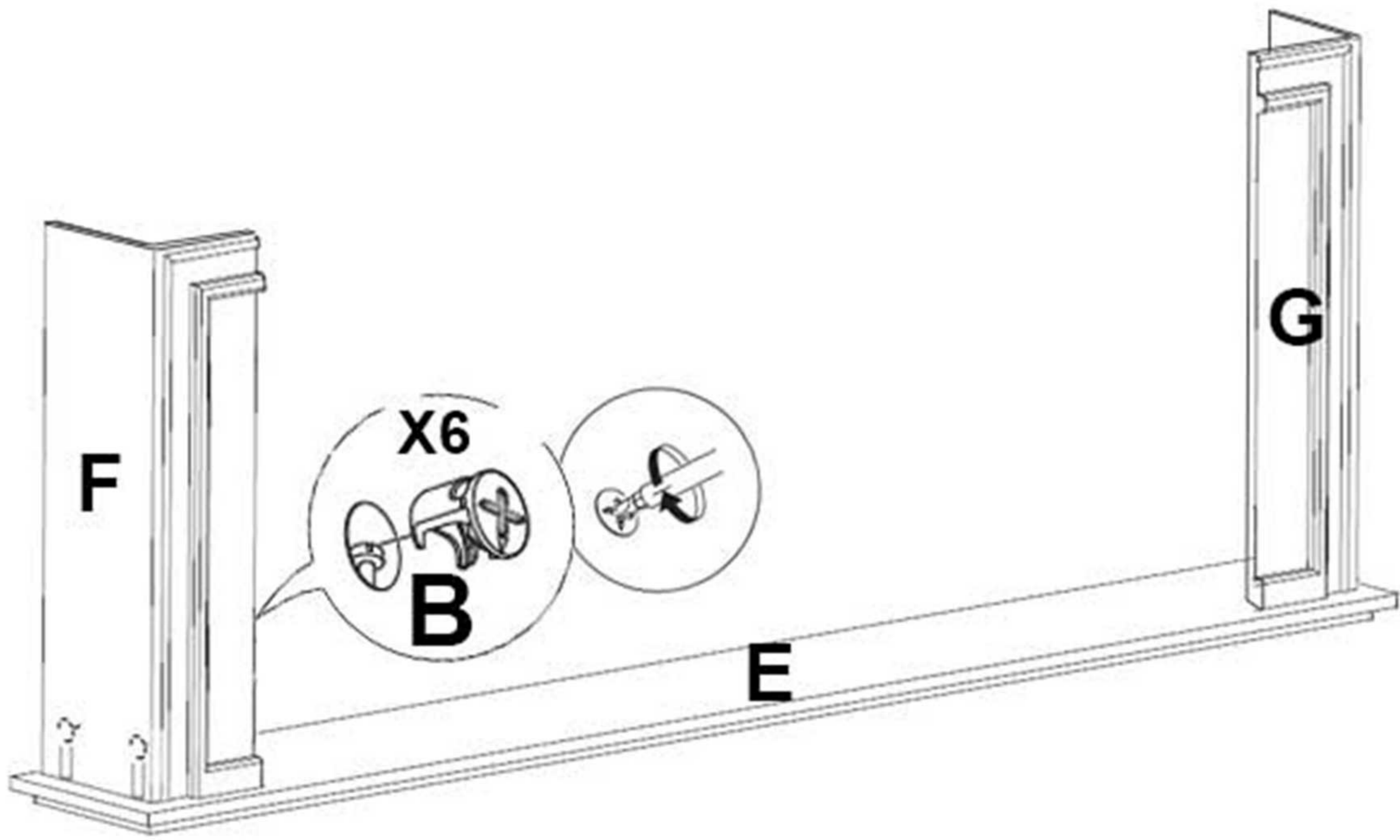


**PART G**

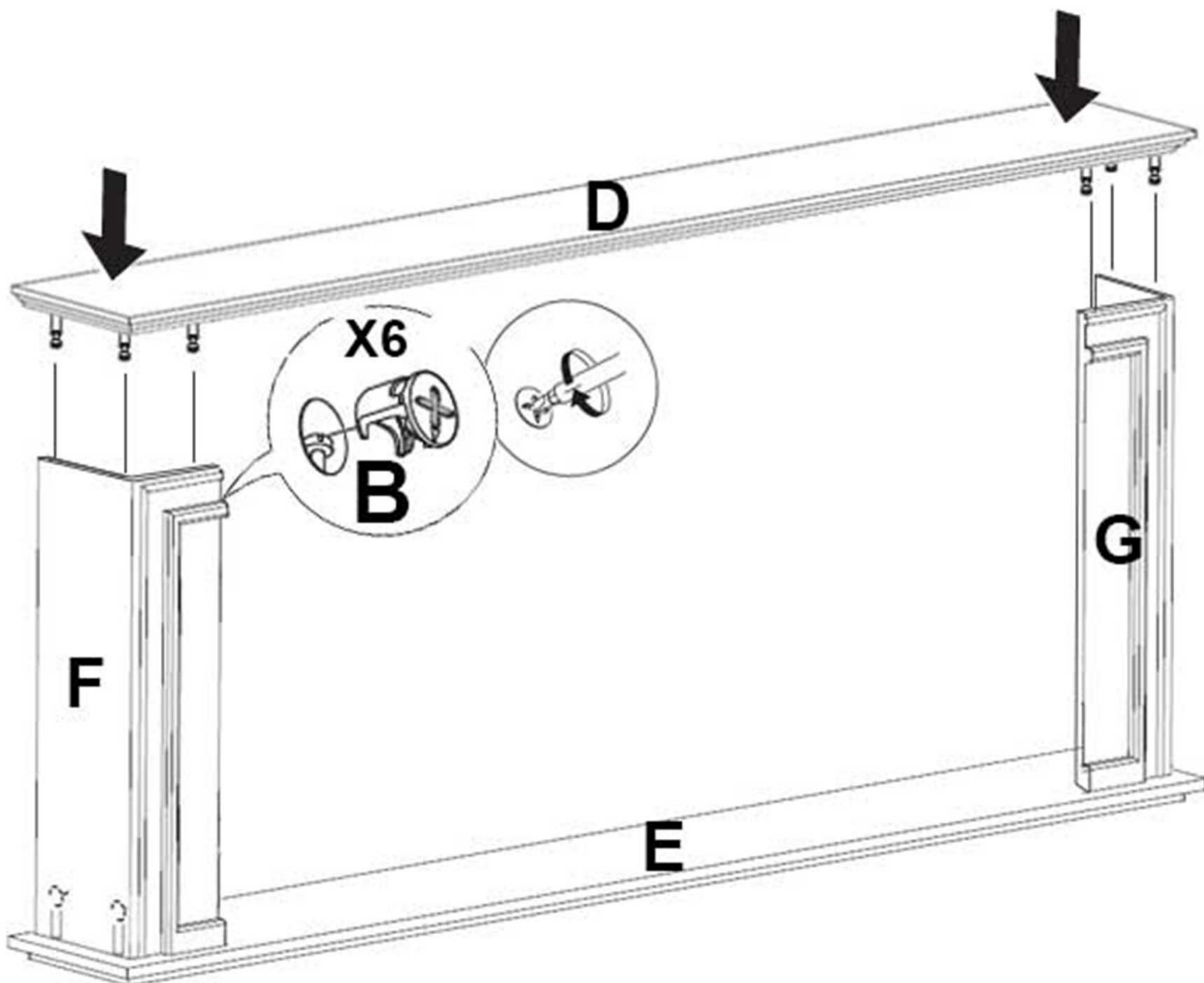


**PART E**

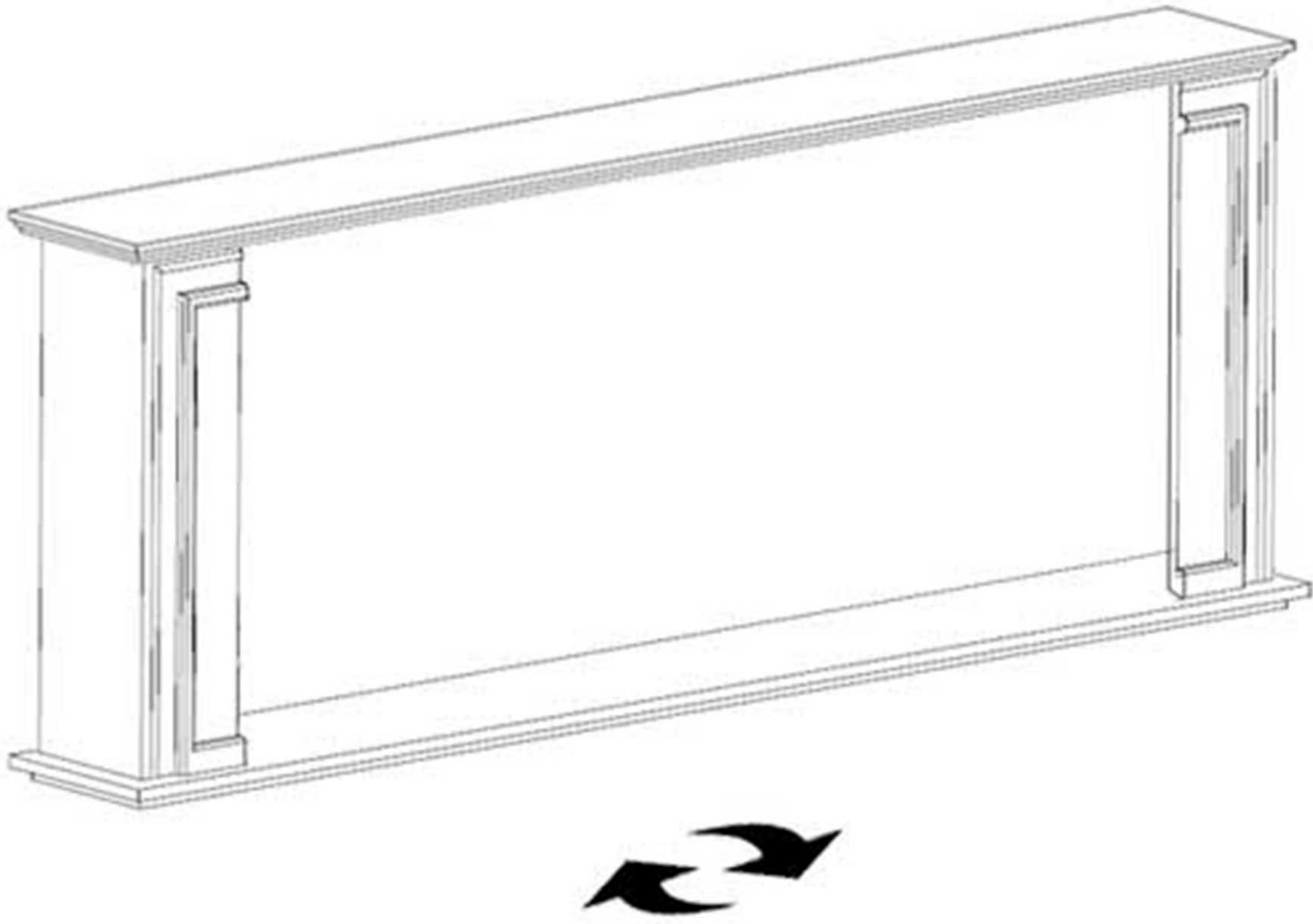
03



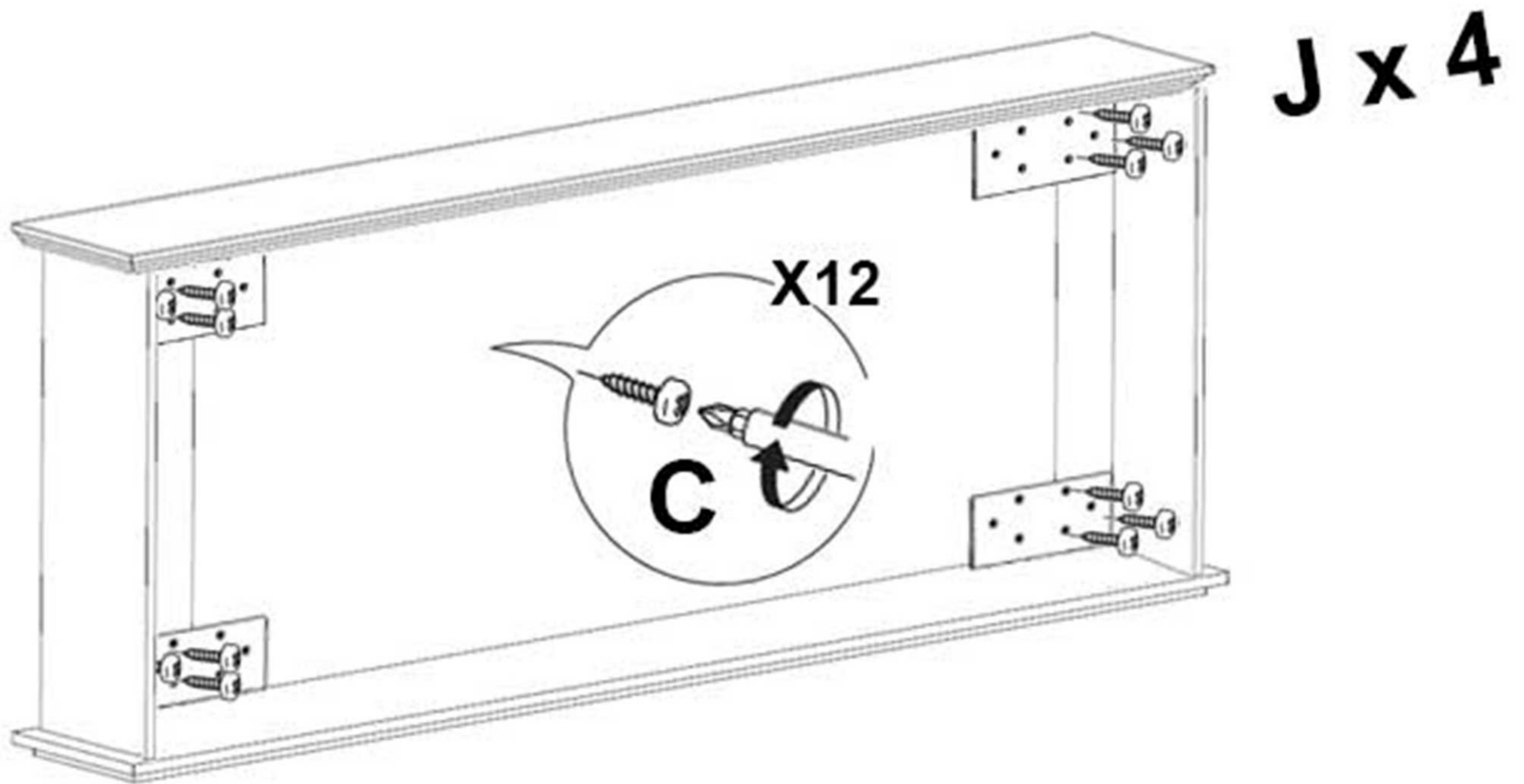
04



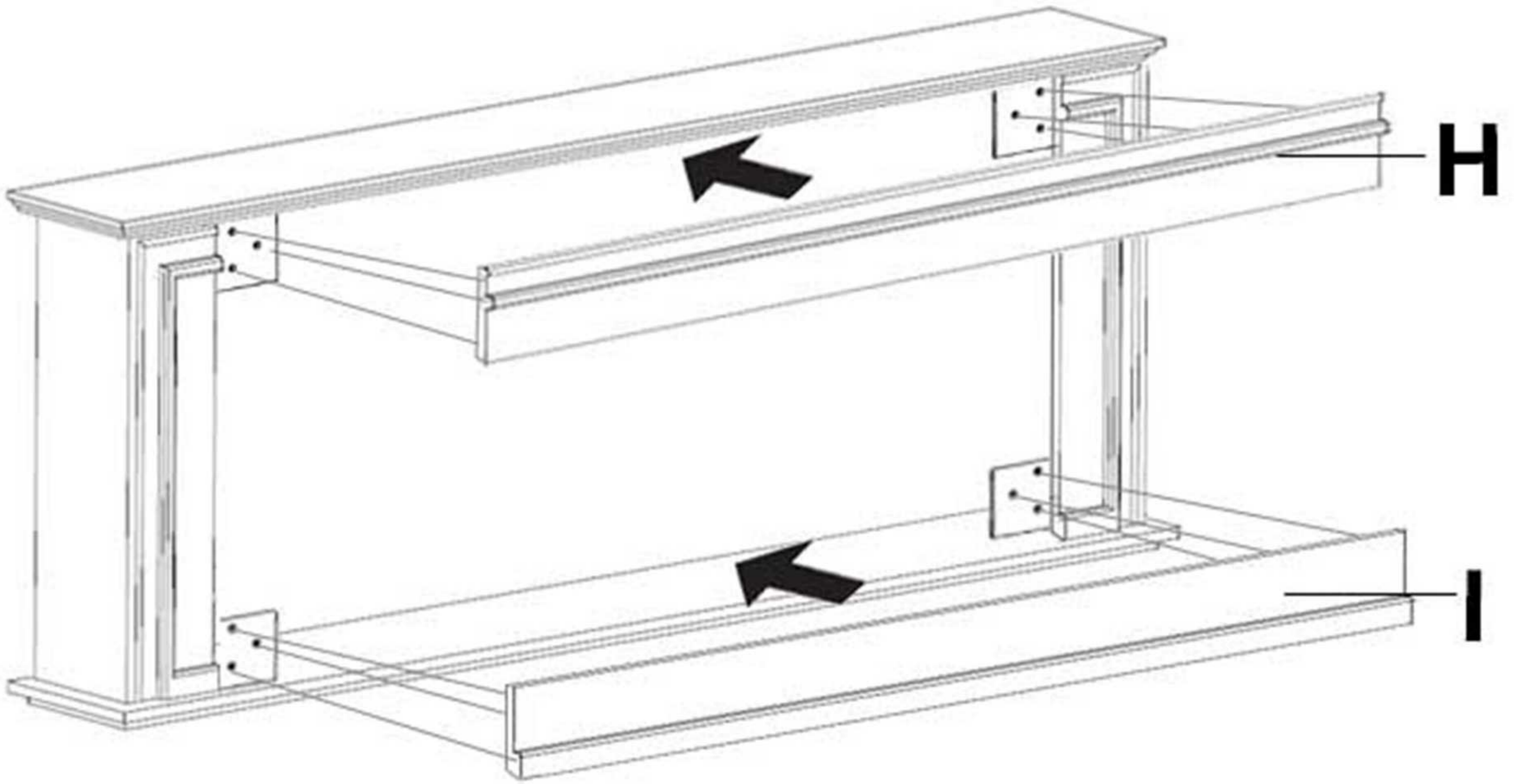
05



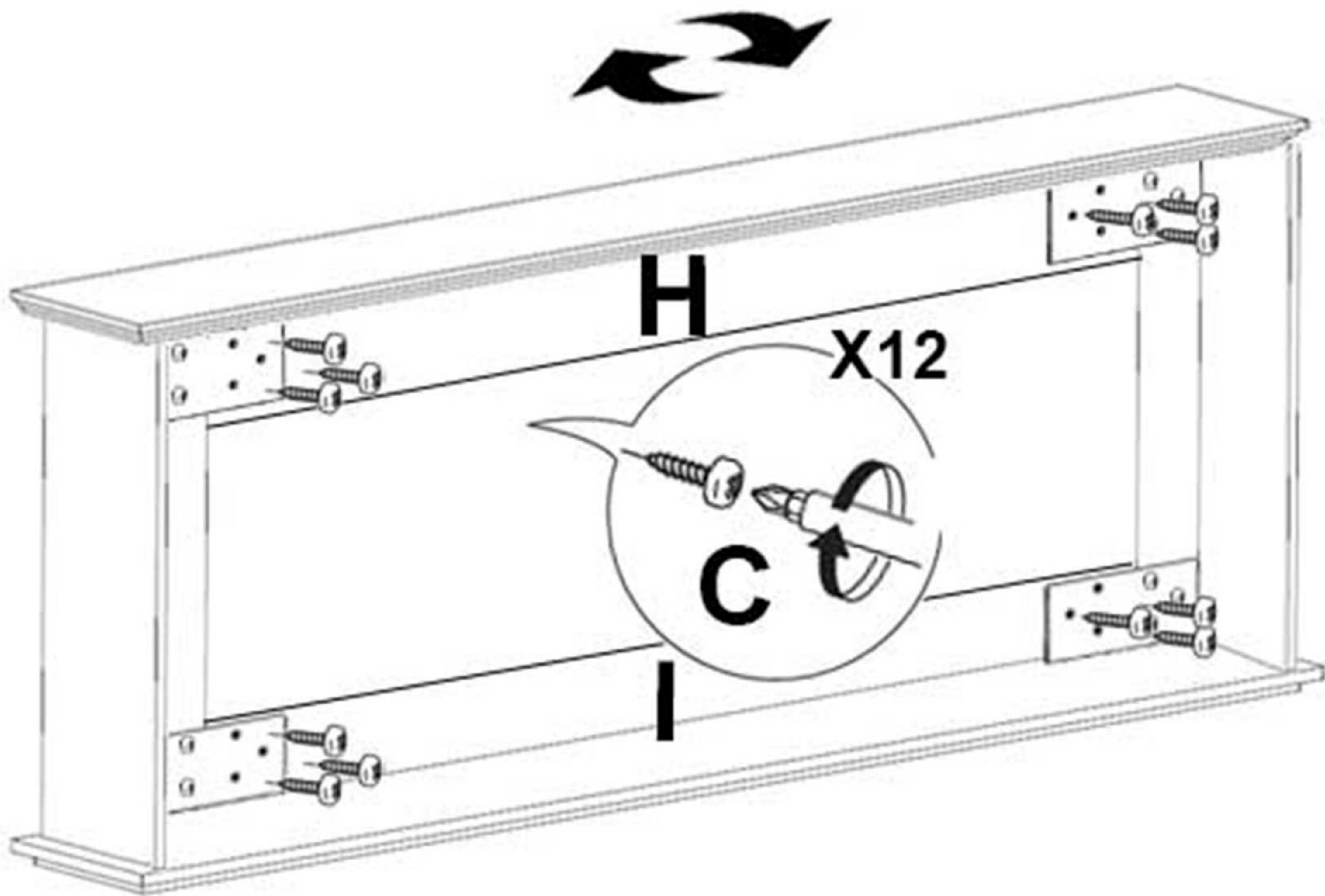
06



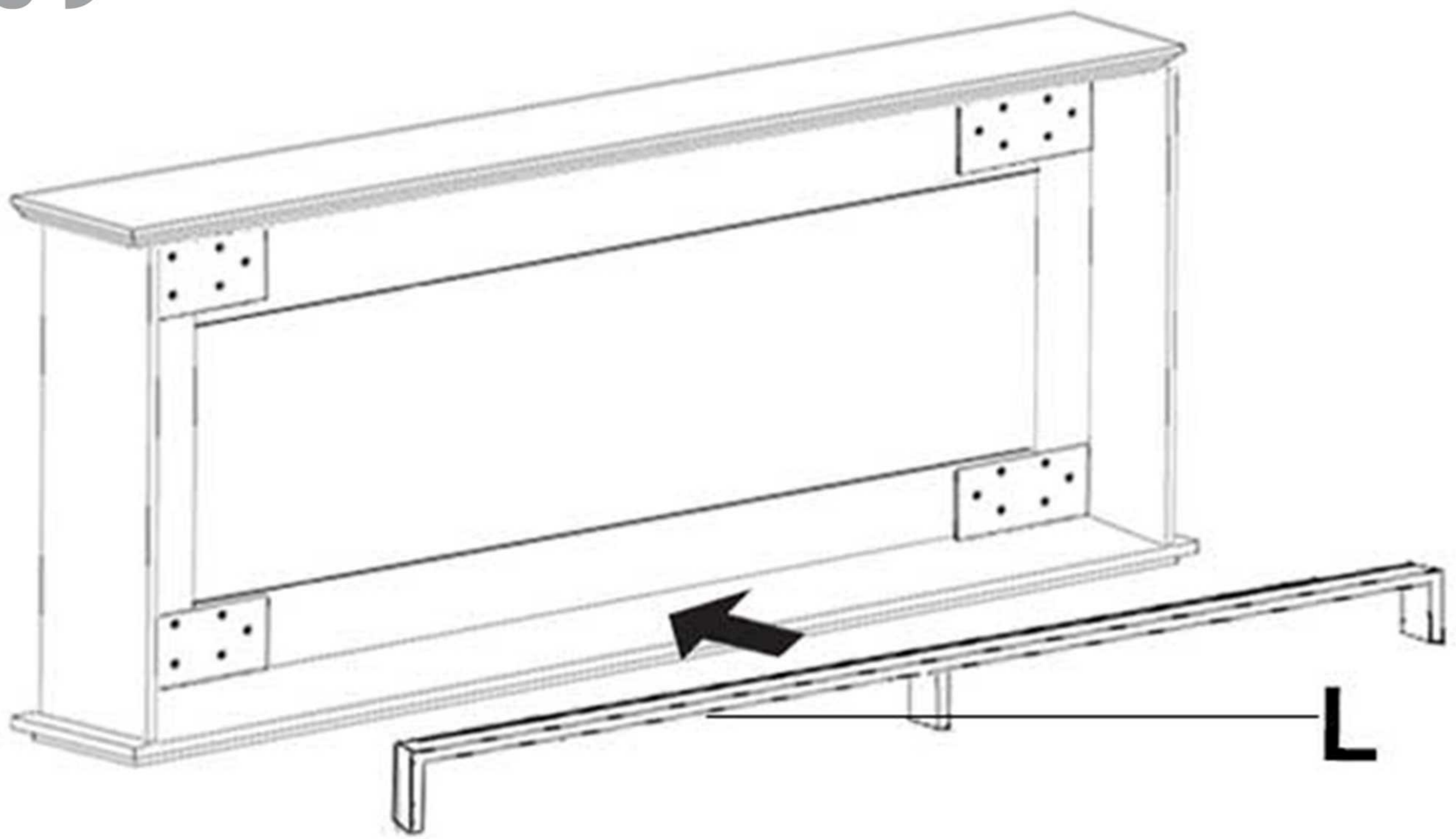
07



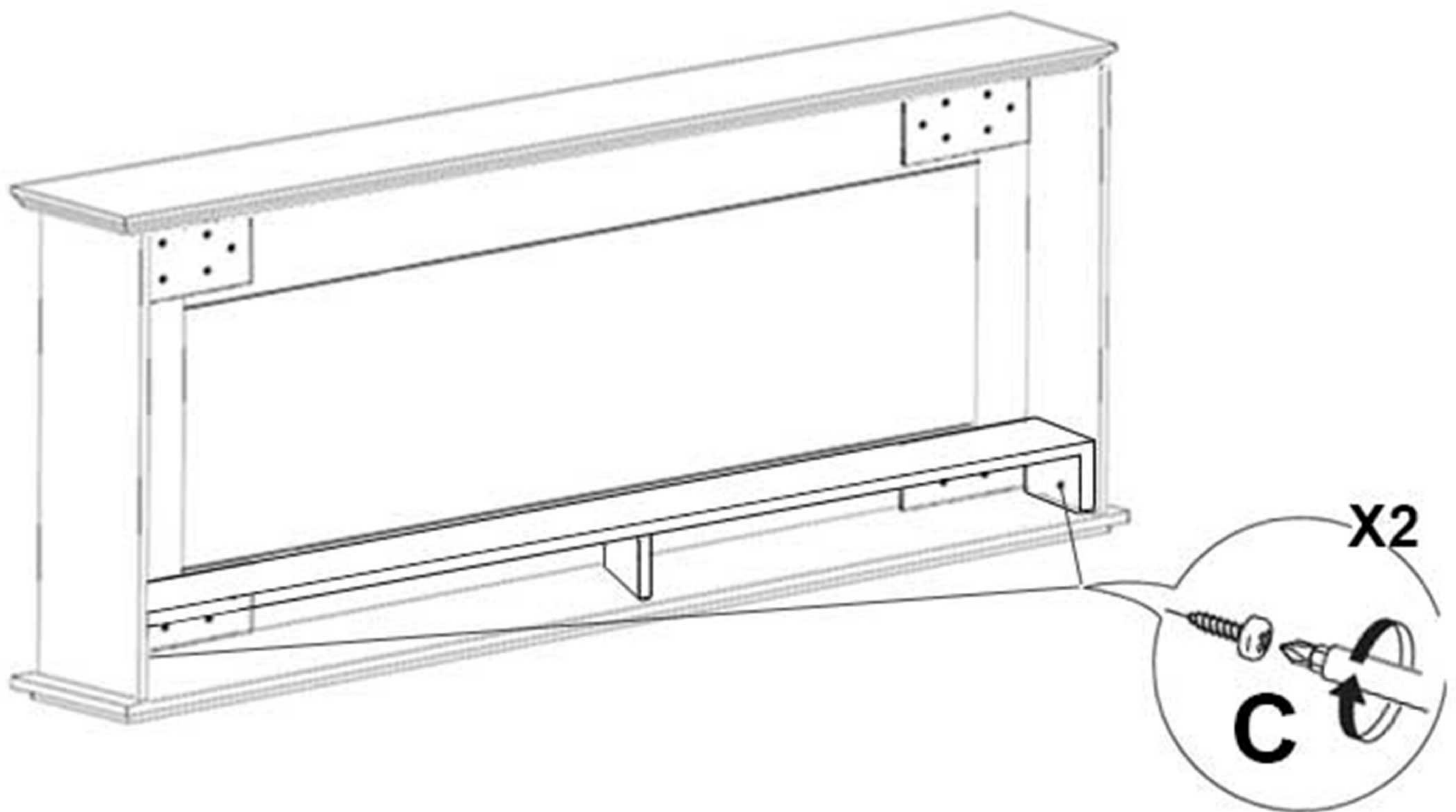
08



09

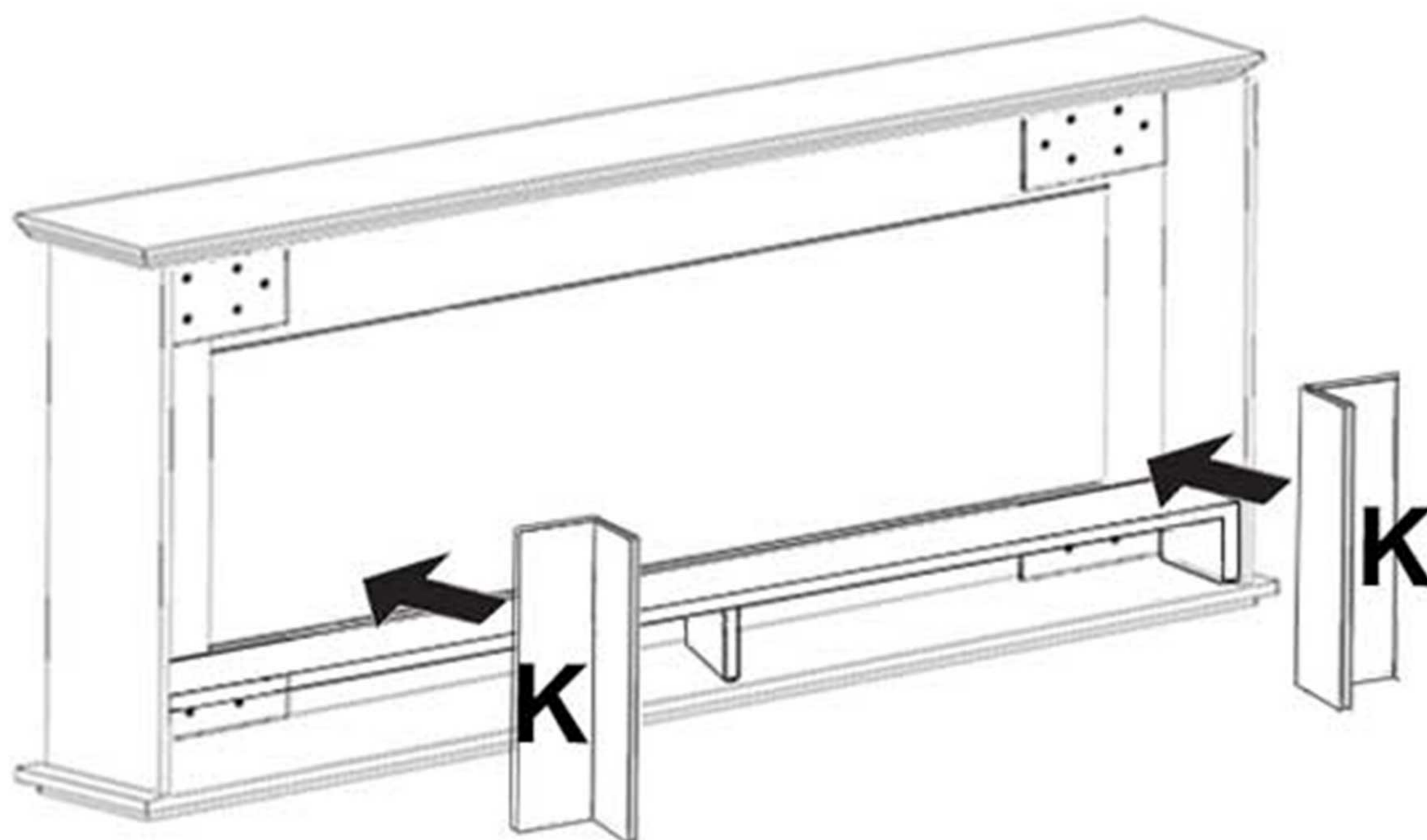


10

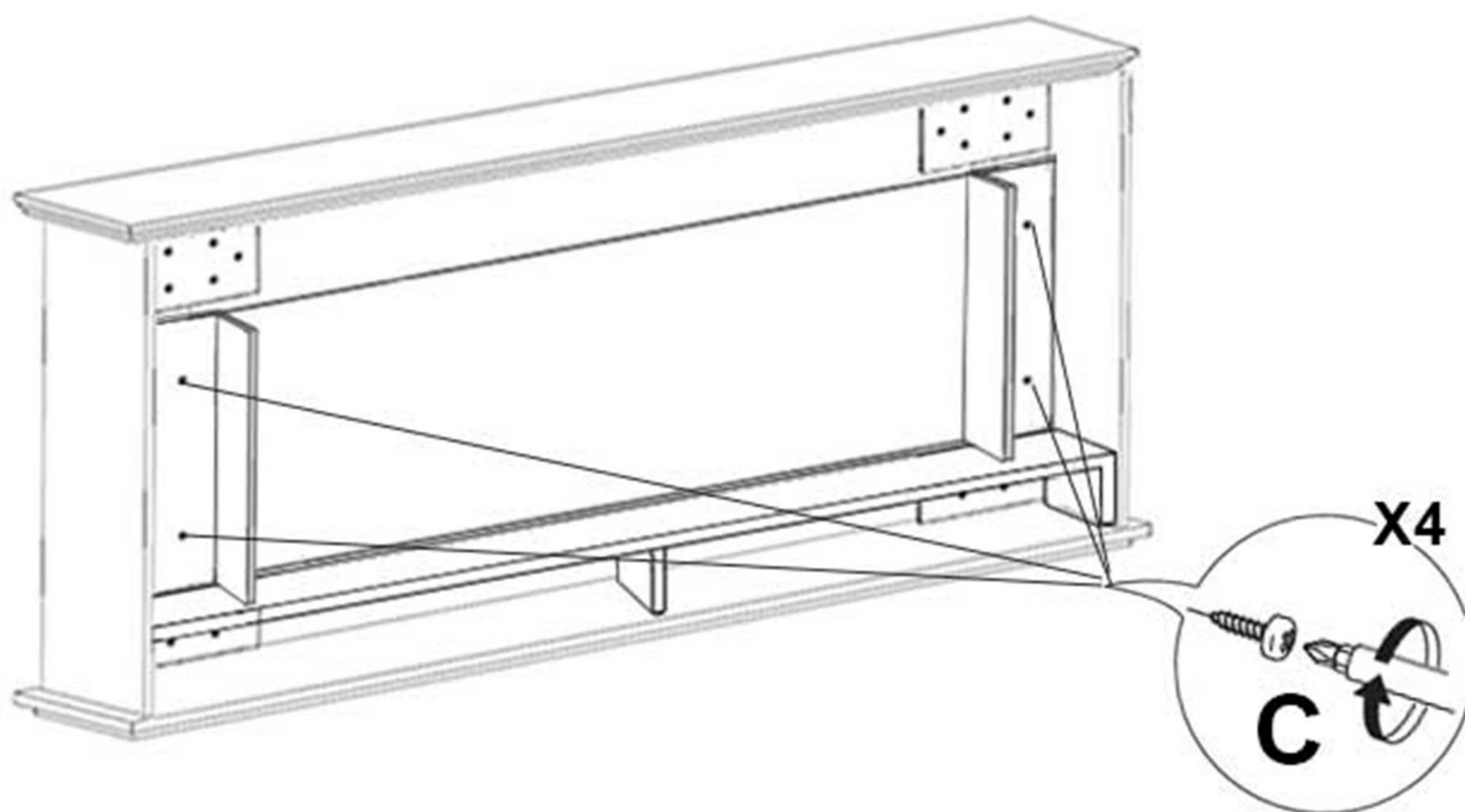




11

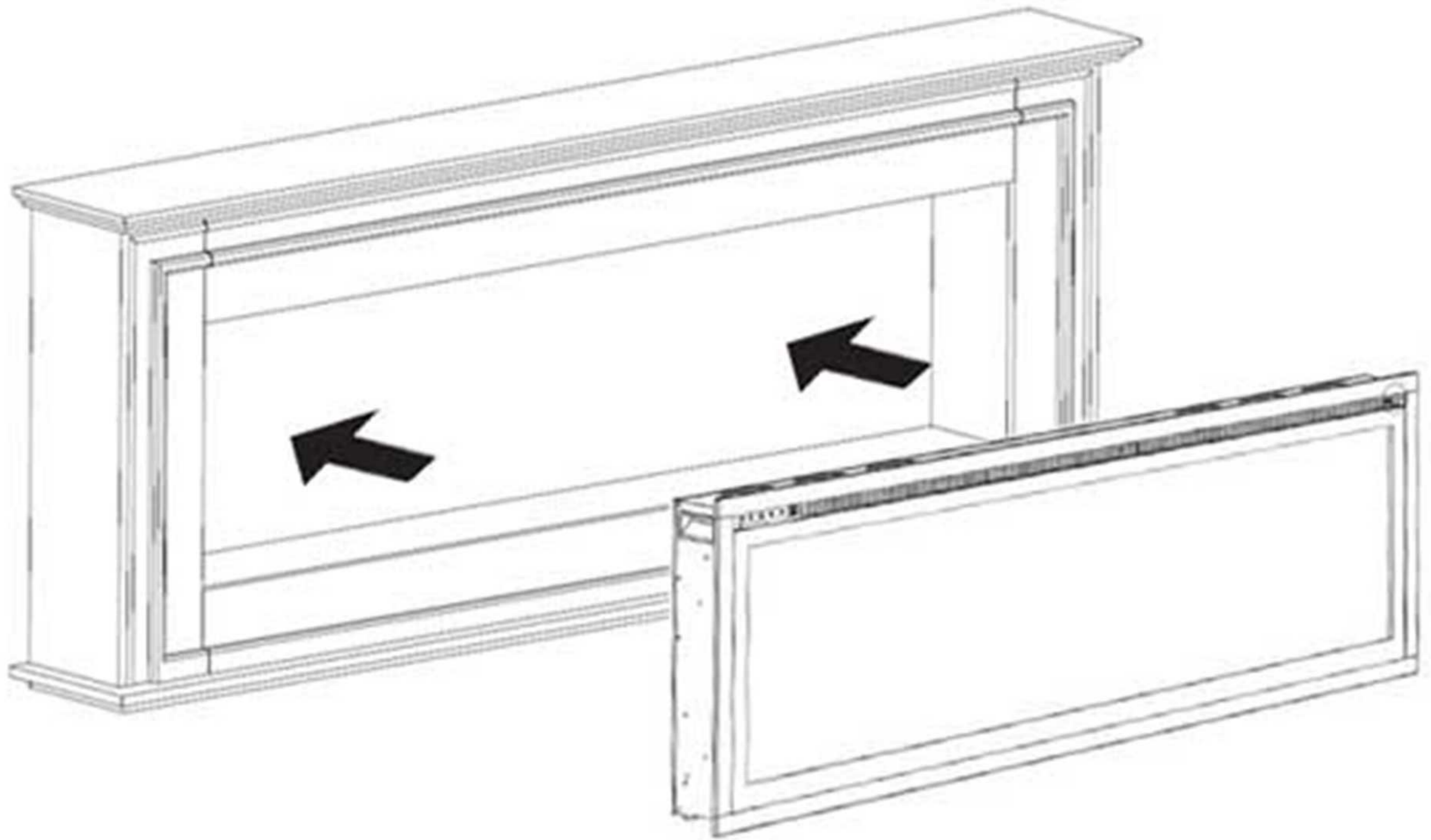


12



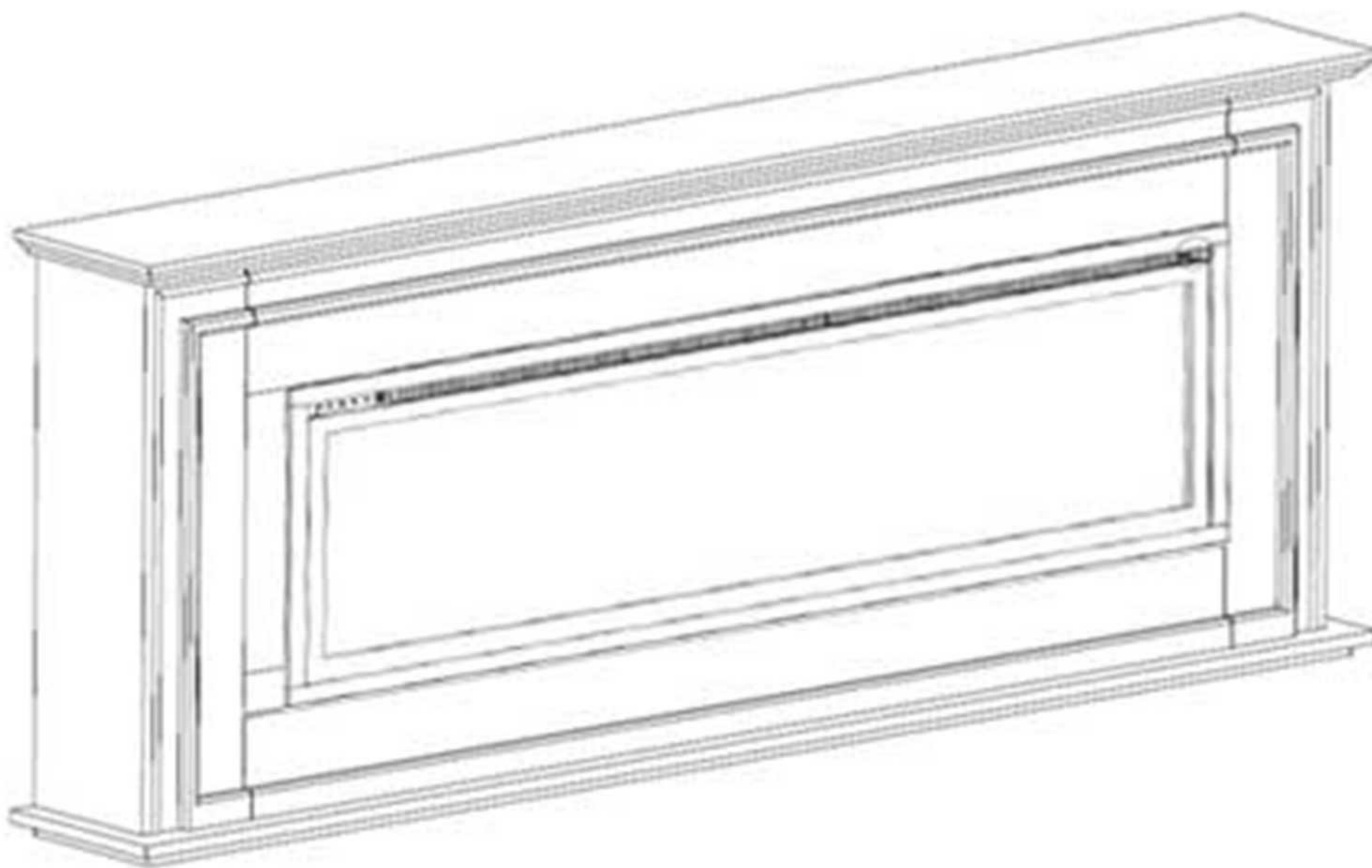
---

13



---

14



For instructions on how to install the fireplace into the mantel, please refer to the fireplace installation guide.