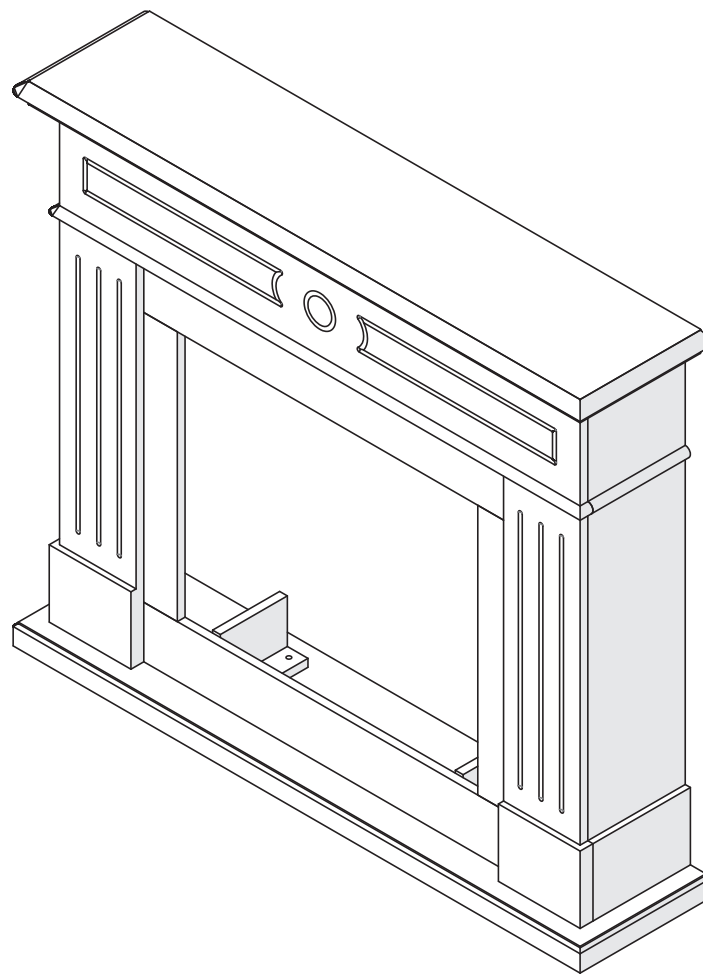


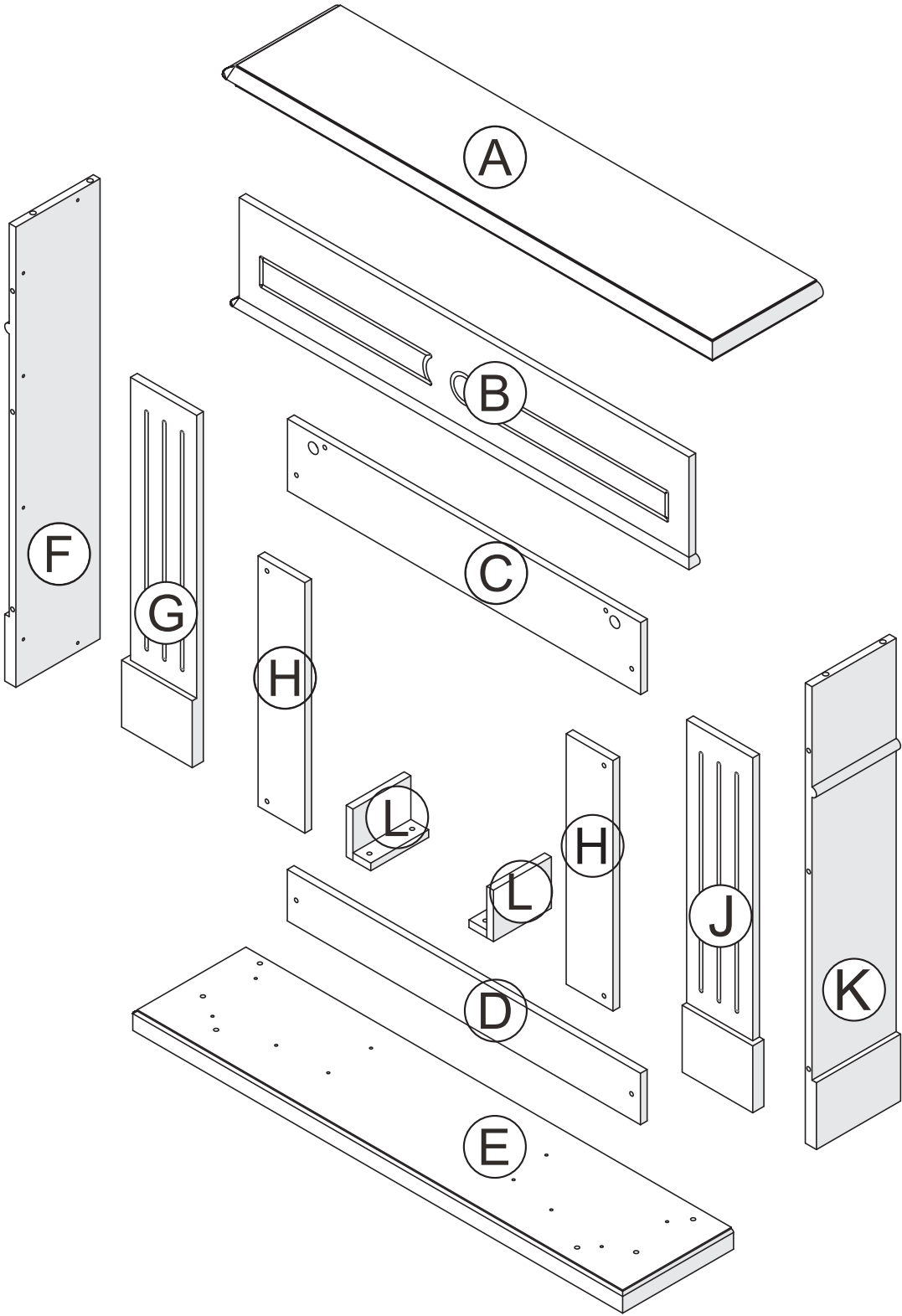
FIREPLACE MANTEL

ASSEMBLY INSTRUCTIONS

EFRC321A Aura



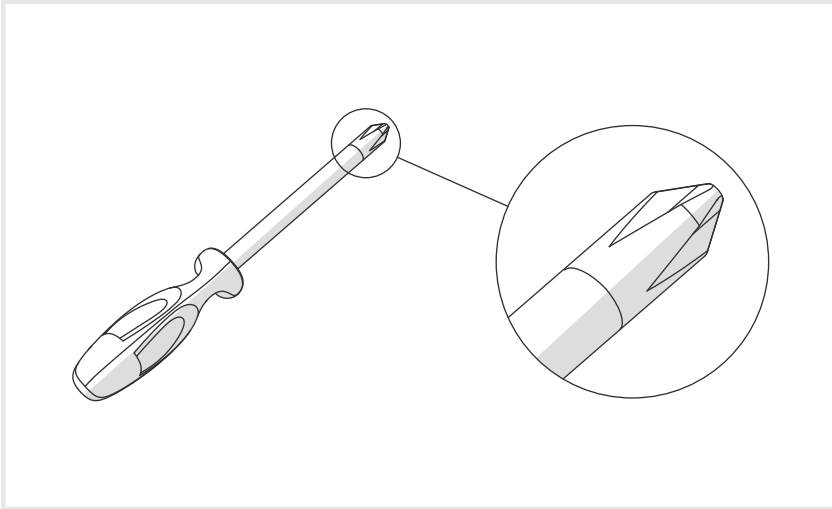
PARTS LIST


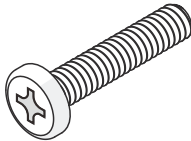
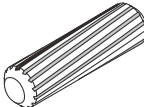

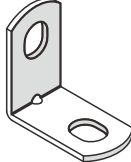
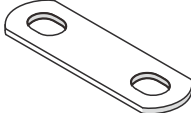



PARTS AND ACCESSORIES

Tools required:

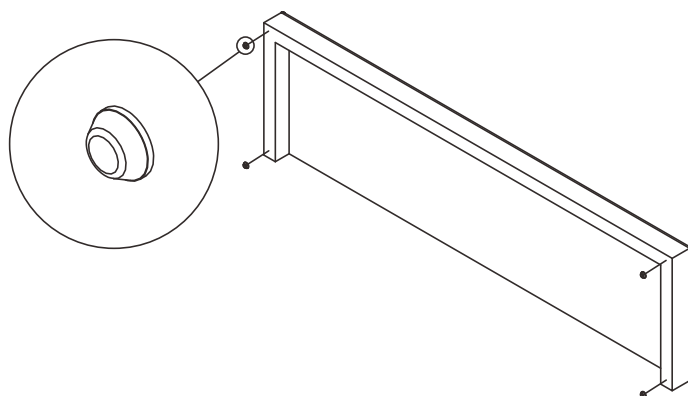
A screwdriver will be needed.



 43 x M6x12mm	 15 x M6x28mm	 17 x ø 8x30mm
 15 x	 20 x	 3x
 6 x		

ASSEMBLY INSTRUCTIONS

01

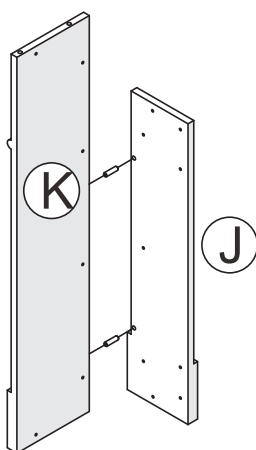


4x

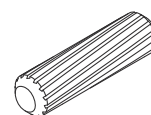


Carry out this assembly step on both sides

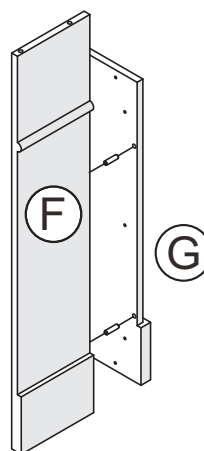
02



4x

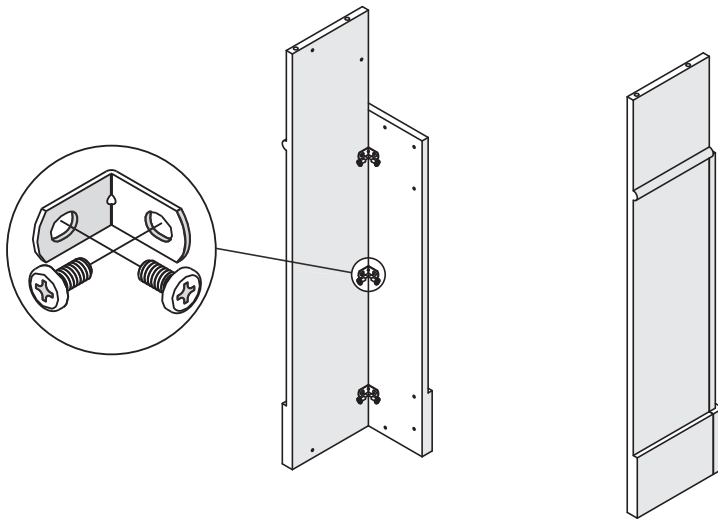


ø 8x30mm



Carry out this assembly step on both sides

03

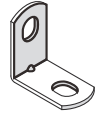


12 x



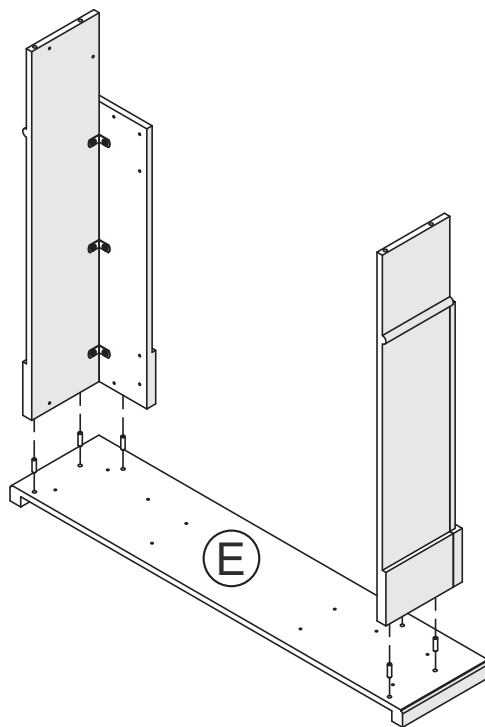
M6x12mm

6 x

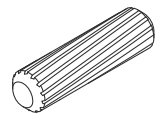


Carry out this assembly step on both sides

04



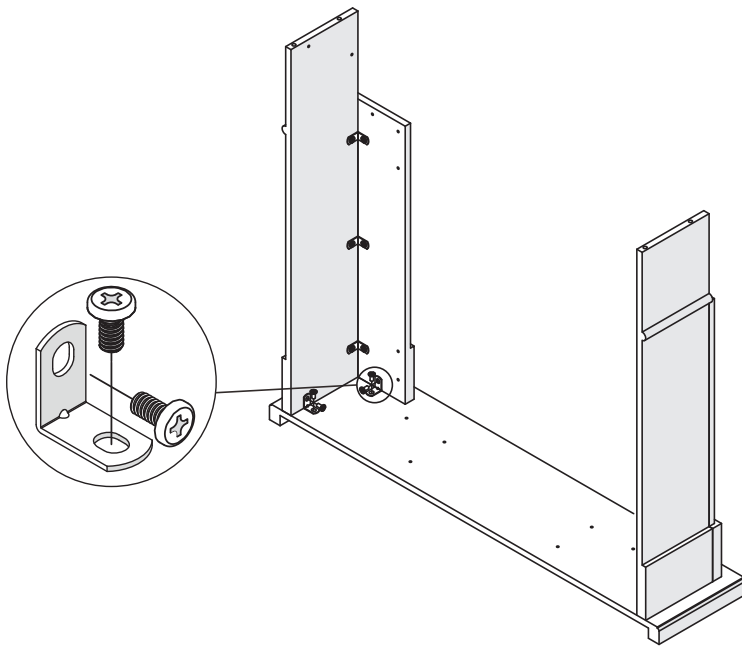
6 x



∅ 8x30mm

Carry out this assembly step on both sides

05

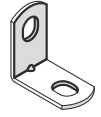


8x



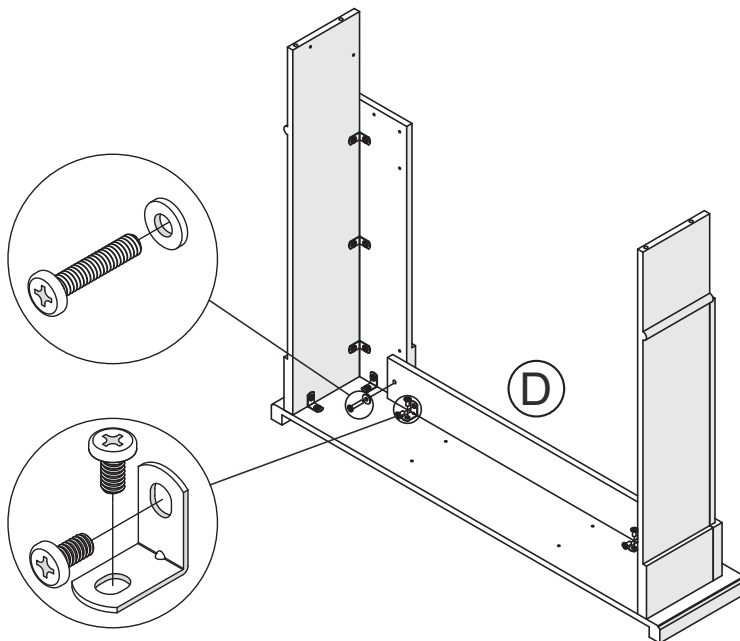
M6x12mm

4x



Carry out this assembly step on both sides

06

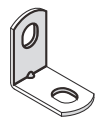


4x

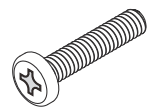


M6x12mm

2x

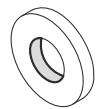


2x



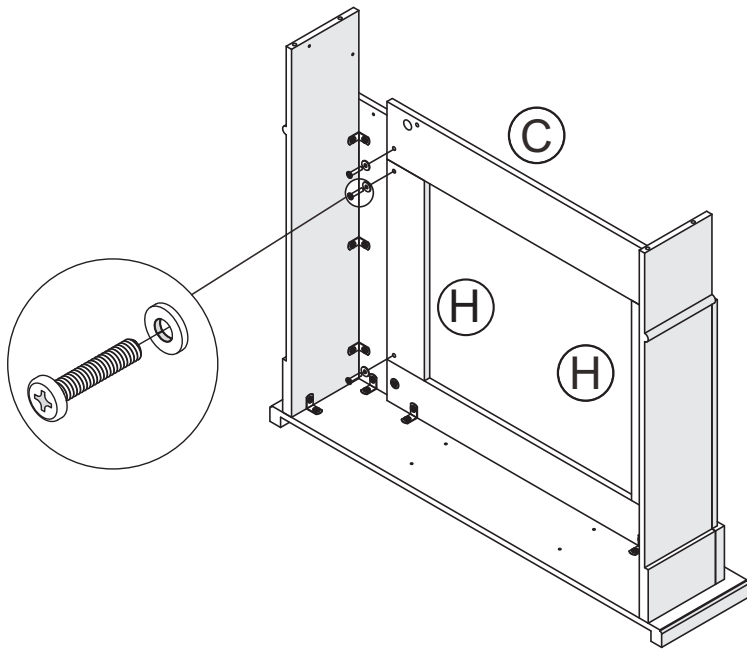
M6x28mm

2x

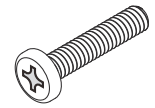


Carry out this assembly step on both sides

07

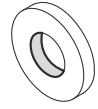


6x



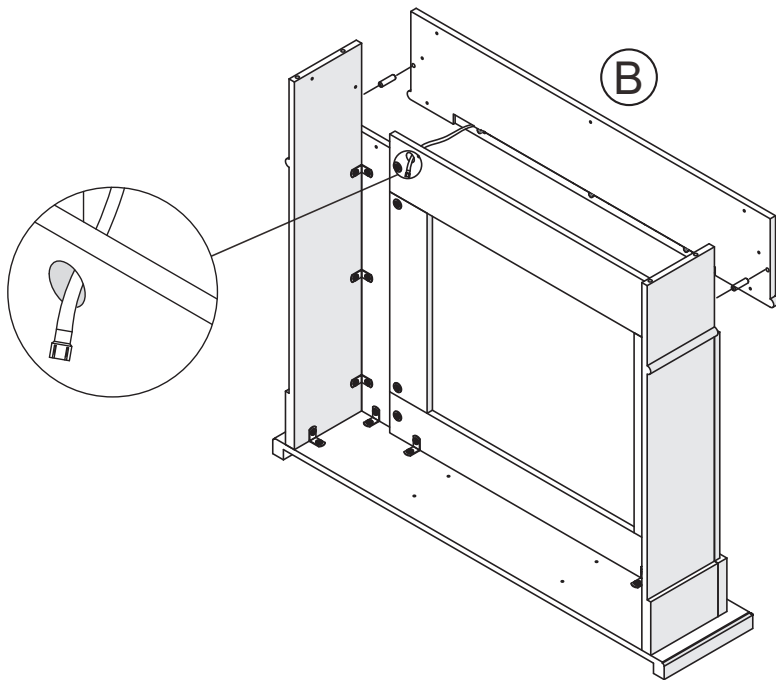
M6x28mm

6x

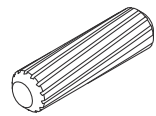


Carry out this assembly step on both sides

08

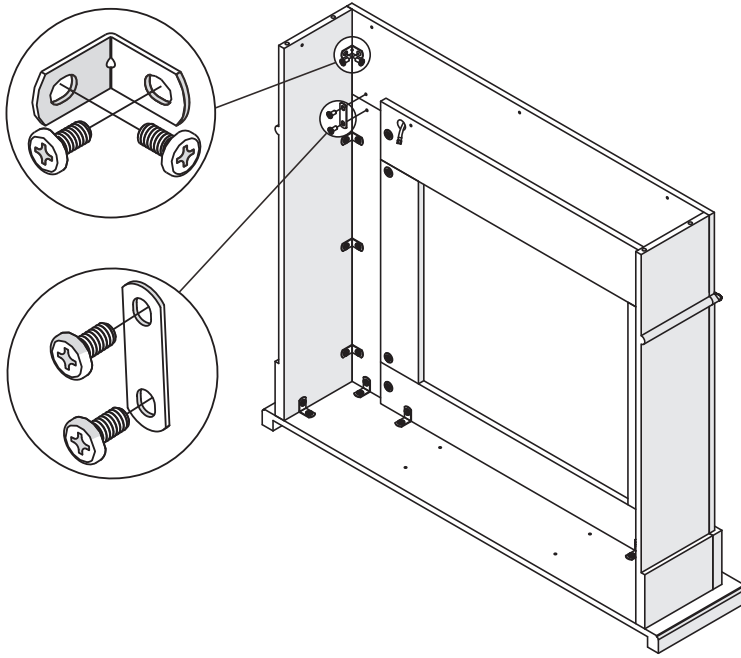


2x



Ø 8x30mm

09

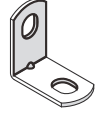


8x

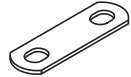


M6x12mm

2x

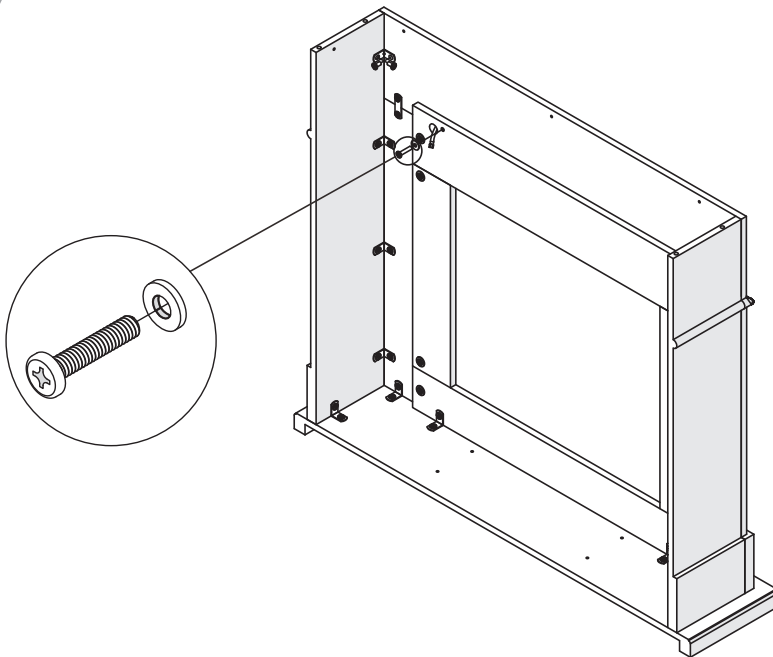


2x

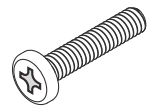


Carry out this assembly step on both sides

10



2x



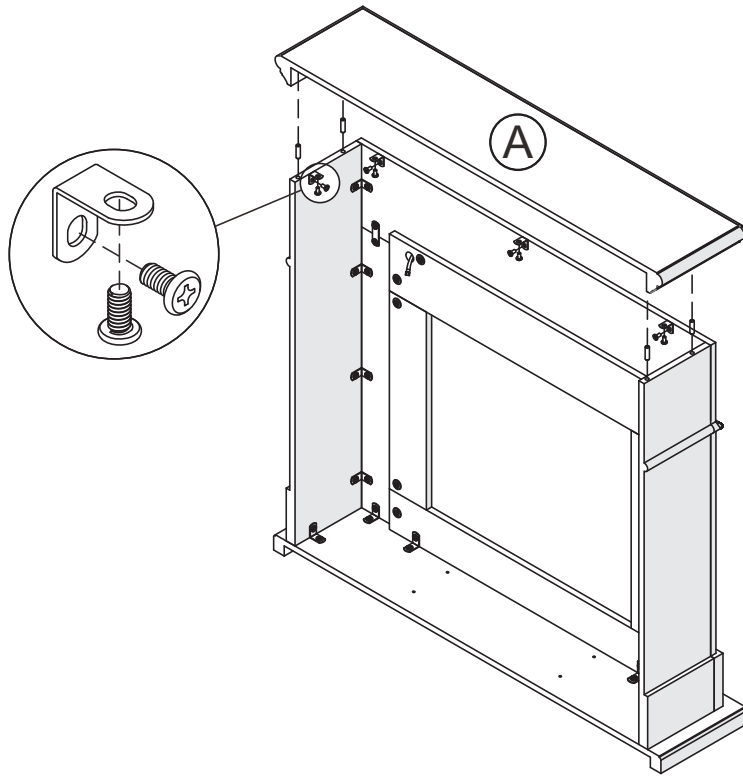
M6x28mm

2x



Carry out this assembly step on both sides

11

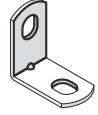


10 x

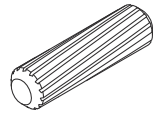


M6x12mm

5x



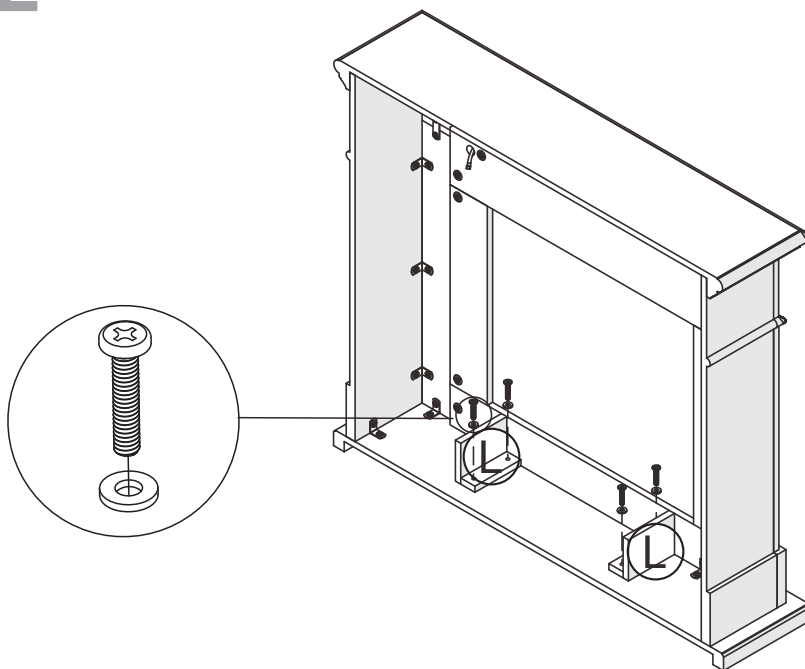
4x



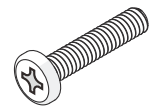
∅ 8x30mm

Carry out this assembly step on both sides

12



4x



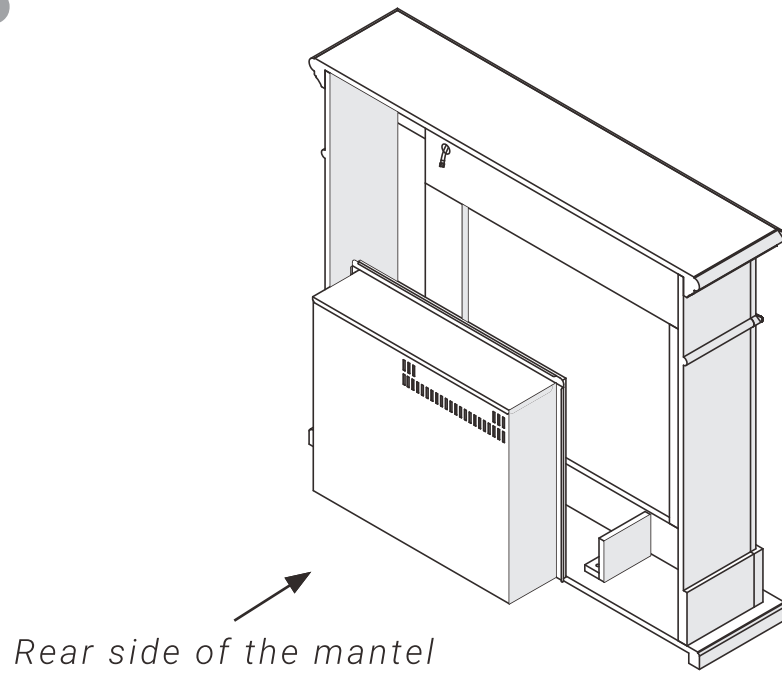
M6x28mm

4x

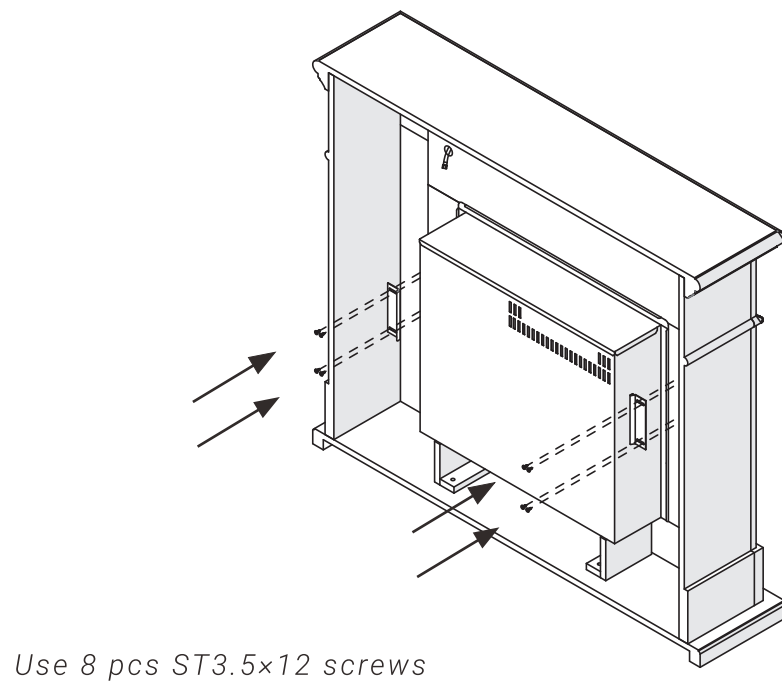


Carry out this assembly step on both sides

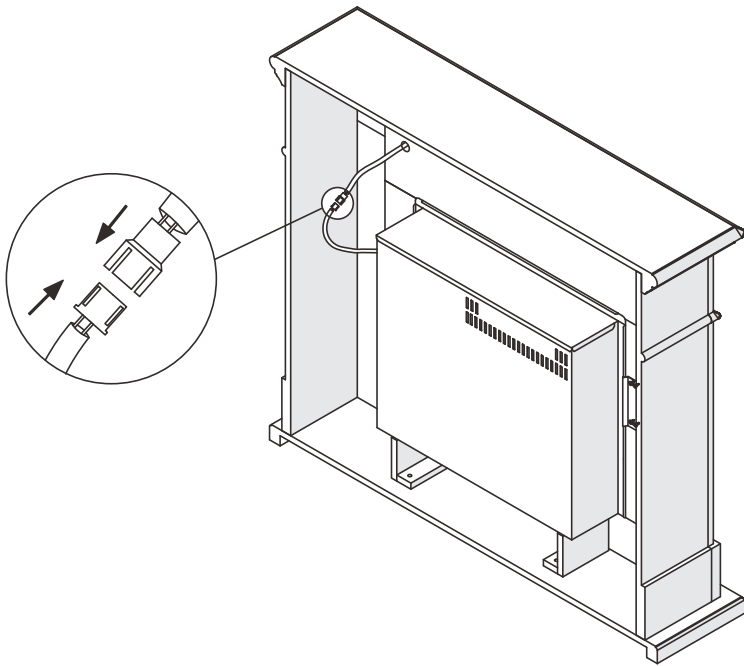
13



14



15



Connect the Mood Light
