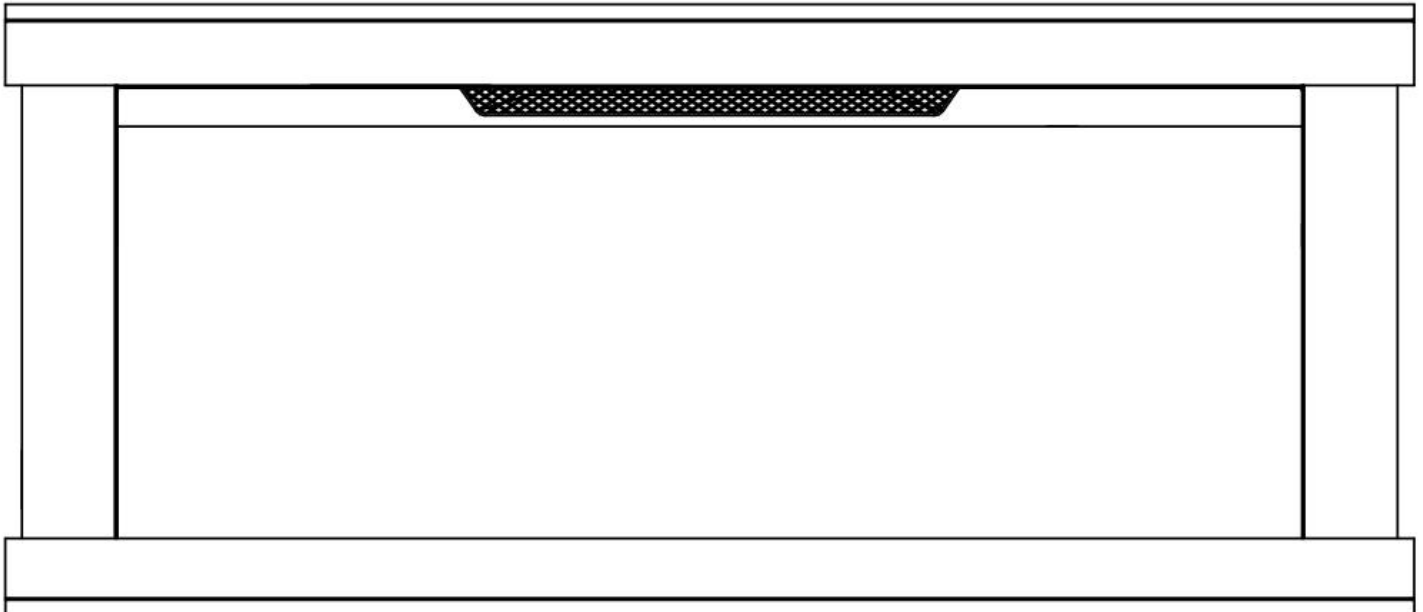


WALL MOUNT ELECTRIC FIREPLACE

Model# : EF-TRO42

OWNER'S MANUAL



50" Wall Mounted Electric Fireplace

AC 220-240V 50Hz 1400-1600W

⚠ WARNING

Read and understand this entire owner's manual, including **all safety information**, before **plugging in** or **using** this product. Failure to do so could result in **fire, electric shock, or serious personal injury**.

⚠ CAUTION

Keep this owner's manual for future reference. If you sell or give this product away, **make sure this manual accompanies the product**.

IMPORTANT SAFETY INFORMATION!

WARNING

- **Read all instructions before using this heater.**
- This heater is **hot when in use**. To avoid burns, **DO NOT** let bare skin touch **hot** surfaces. If provided, use handles when moving this heater. Keep **combustible materials**, such as furniture, pillows, bedding, papers, clothes, and curtains at least **3 feet (0.9m)** from the **front of the heater**, and **keep them away from the sides and rear**.
- **Extreme caution** is necessary when any heater is used by or near **children** or **invalids** and whenever the heater is left **operating and unattended**.
- **DO NOT** operate any heater with a **damaged cord or plug**, after it has **malfunctioned**, or if it has been **dropped** or **damaged in any manner**. Discard the heater or return it to an authorized service facility for examination and/or repair.
- **DO NOT** run power cord under carpeting. **DO NOT** cover power cord with throw rugs, runners, or similar coverings. **DO NOT** route power cord under furniture or appliances. Arrange power cord **away from traffic** area, and where it will not be tripped over.
- **Connect to properly grounded outlets ONLY.**
- **DO NOT** insert or allow foreign objects to enter any ventilation or exhaust opening, as this may cause **electric shock** or **fire**, or **damage the heater**.
- To prevent a possible fire, **DO NOT** block air intakes or exhaust in any manner. Doing so could cause a **fire**. **DO NOT** use on soft surfaces, like a bed, where openings may become blocked.
- A heater has **hot and arcing or sparking parts inside**. **DO NOT** use it in areas where **gasoline, paint, or flammable liquids** are used or stored.
- **Use this heater only as described in this manual. Any other use not recommended by the manufacturer may cause fire, electric shock, or injury to persons.**
- **ALWAYS** plug heaters directly into a wall outlet/receptacle. **NEVER** use with an extension cord or relocatable power tap (outlet/power strip).
- **DO NOT** place the heater near a bed because objects such as pillows or blankets can fall off the bed and be ignited by the heater.
- **NEVER** use this heater in **bathrooms, laundry rooms**, or any other location where the heater could fall into a **bathtub** or **pool**, become **damp**, or **come in contact with water**.
- **AVOID FIRE!** Regularly inspect all air vents to make sure they are free from dust, lint, or other blockage. **Unplug the unit** and clean with a **vacuum ONLY**. **DO NOT** rinse or get wet.
- **ALWAYS** mount to wall bracket before use. **DO NOT** set on the floor, or other surface, to use.
- **NEVER** use a wall mount bracket from another manufacturer.
- This product is **not intended** to be a **primary heat source**. It is for **supplemental heat only**.
- **INDOOR use only. NEVER** use this heater **outdoors**. Doing so may result in **electric shock**.

- **Risk of electric shock! DO NOT OPEN!** No user-serviceable parts inside!
- **ALWAYS** turn this heater off before unplugging it from the outlet.
- **ALWAYS disconnect** this unit from the **power** supply **before** performing any assembly or cleaning, or before relocating the electric fireplace.
- **NEVER** leave this heater unattended. **ALWAYS** unplug this heater when not in use.
- **ALWAYS** store this heater in a dry location. **NEVER** use the fireplace if it has become wet.
- **NEVER** plug this heater into an outlet that is **old, cracked**, or has any **loose wires or connections**. Plugging this heater into a faulty outlet could result in **electric arcing** within the outlet that could cause the **outlet to overheat or catch fire**.
- **ALWAYS** check your heater cord and plug connections with **each use**.
 - i) **MAKE SURE** the plug fits tight in the outlet. Faulty wall outlet connections or loose plugs can cause the outlet to overheat.
 - ii) **Heaters draw more current** than small appliances. **Overheating** may occur even if it has not occurred with the use of other appliances.
 - iii) During use, **check frequently** to see if the **plug outlet or face plate** is **HOT**.
 - iv) If the outlet or face plate is **HOT**, **discontinue use immediately** and have a qualified electrician inspect and/or replace the faulty outlets.
- **SAVE THESE INSTRUCTIONS!**

Preparation

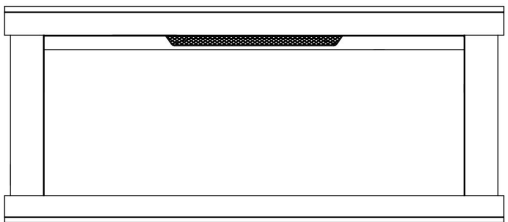

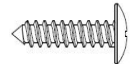
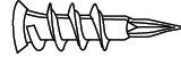
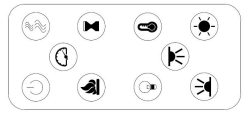


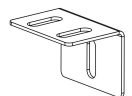

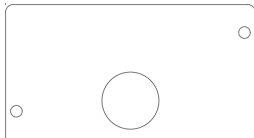
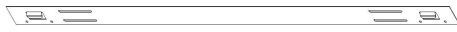



This product includes a **GLASS panel**. Always use **extreme caution** when handling **glass**. Failure to do so could result in **personal injury** or **property damage**.

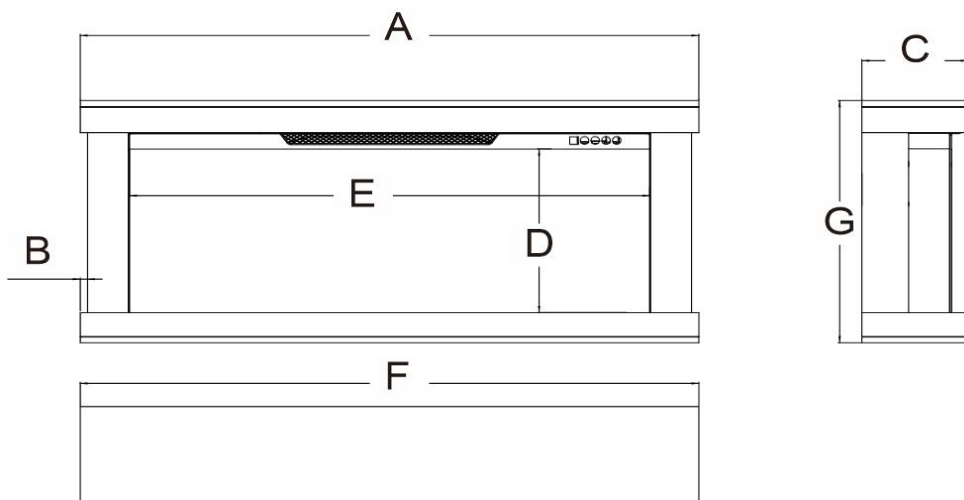
Remove all parts and hardware from the carton and place them on a clean, soft, dry surface. Parts and assembly steps are grouped for wall-hanging or recessing use. Check the parts list to make sure nothing is missing. Dispose of packaging materials properly. Please recycle whenever possible.

You will need the following tools (not included): Phillips screwdriver; stud finder; level; tape measure; electric drill; 1/4" wood drill bit; hammer.

Parts and Hardware

 <p>A – Fireplace</p>			
	<p>B- Wood Screw</p>		<p>C- Drywall anchor</p>
			
<p>D- Remote Control</p>		<p>E- Logs</p>	
			
<p>F- Smoked Crystals</p>		<p>H- Metal L-Bracket</p>	
			
<p>I- Strain Relief</p>	<p>J- Cover Plate</p>	<p>K- Mounting Bracket (Pre-fixed to the fireplace back)</p>	<p>L- Instruction Manual</p>

Specifications and Dimensions



PRODUCT DIMENSIONS							
Model Number	A	B	C	D	E	F	G
EF-TRO42	50" [1270MM]	0.6" [15MM]	8.6" [218MM]	14.6" [371MM]	42" [1068MM]	50" [1270MM]	21.6" [549MM]

Installation and Assembly

This appliance is designed to be recessed or wall mounted. Select a suitable location that is not susceptible to moisture and is away from drapes, furniture, and high traffic areas.

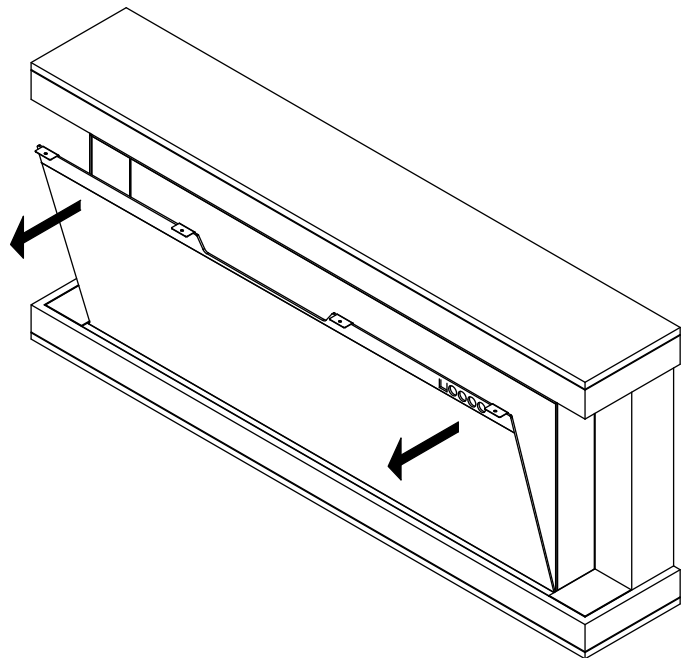
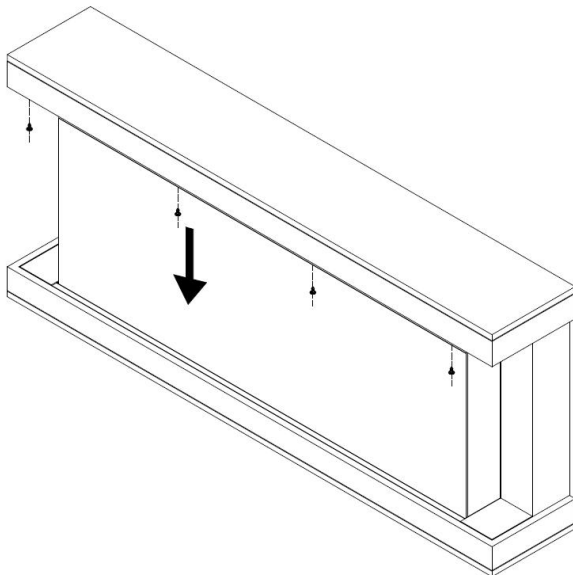
NOTE: Follow all National and local electrical codes. The electric fireplace comes with the power plug supplied. To switch to hard-wiring, please refer to hard-wiring installation section.

MINIMUM CLEARANCE TO COMBUSTIBLES

Measurements are taken from the glass front.			
Bottom	0"	Top	11.8" (300mm) to mantel
Sides	0"	Top	11.8" (300mm) to ceiling
Back	0"	Front	36" (914mm)

Front Glass Installation / Removal

- Remove all the screws from the top of the glass panel.
- Tilt the front glass forward, and have two people remove the glass panel. Place the glass face down on a soft, non-abrasive surface.
- Reverse these steps to re-install the front glass.



Wall Mounted Installation

Due to the many different materials used on different walls, it is highly recommended that you consult your local builder before you install this appliance on the wall.

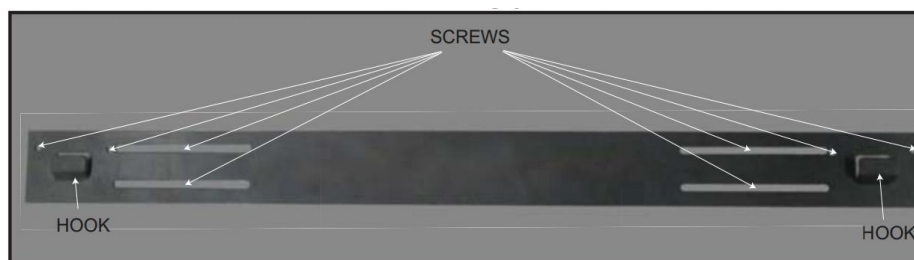
Step 1: Select a location that is not prone to moisture and is located at least 36" (914mm) away from combustible materials such as curtains, drapes, furniture, bedding, paper, etc.

Step 2: Have two people hold the appliance against the wall to determine the final location.

Step 3: Place unit face down on a soft, non abrasive surface. Remove the bracket from the back of the unit by removing the screws. Refer to below figure.

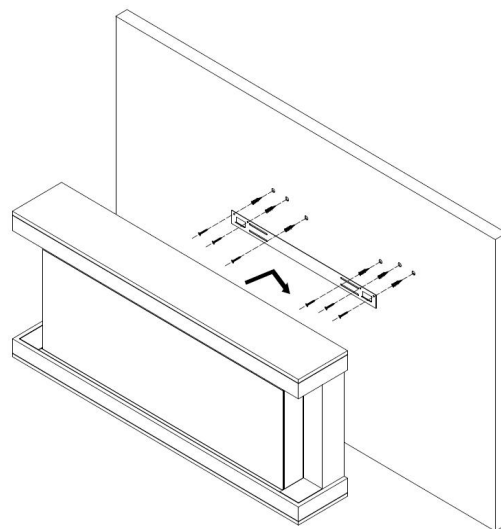
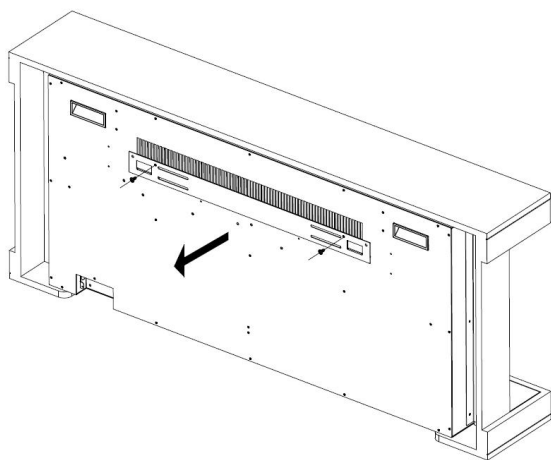
Step 4: Mark the location and then mount the bracket onto the wall using the supplied screws. The bracket **MUST** have the hooks facing upward and be level.

NOTE: It is strongly recommended that the mounting bracket be screwed into the wall studs where possible. If the wall studs cannot be used, ensure that the supplied plastic wall anchors are used to affix the bracket to the wall and the bracket is adequately secured.



Step 5: With the wall mounting bracket installed, have two people lift the appliance and insert the two hooks on the bracket into the two slots on the back of the appliance.

Step 6: Check the appliance for stability, ensuring that the bracket will not pull free from the wall.



Wall Bracket Illustrated

“L” Shape Metal Bracket Installation

Step 1: Remove the silver screw at the bottom of the appliance (**Fig. A**). Set the screw aside.

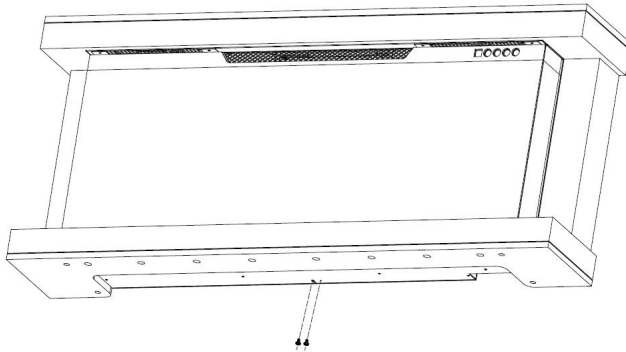


Fig. A

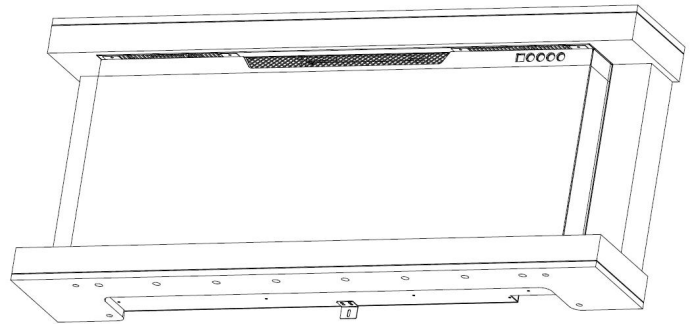


Fig. B

Step 2: Using the screw removed in step 1, attach the metal L-bracket (**H**) to the bottom of the fireplace box (**Fig. B**).

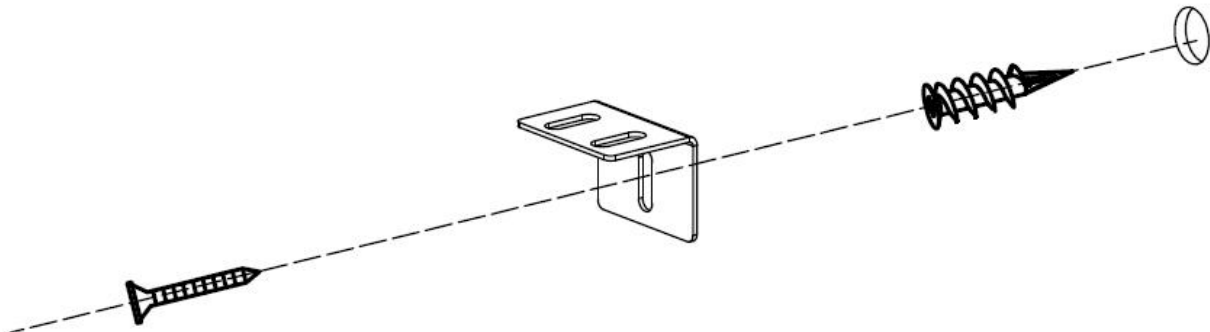


Fig. C

Step 3: Install the plastic wall anchor (**C**) into the drywall. Install the longer screw (**B**) into the hole of the L-bracket and then into the wall anchor to secure the fireplace from coming off the wall (**Fig. C**).

Hard wiring installation for wall recessed

⚠ WARNING

TURN OFF THE APPLIANCE COMPLETELY AND LET COOL BEFORE SERVICING. ONLY A QUALIFIED SERVICE PERSON SHOULD SERVICE AND REPAIR THIS ELECTRIC APPLIANCE.

HARD WIRING CONNECTION

If it is necessary to hard wire this appliance, a qualified electrician must remove the cord connection and wire the appliance directly to the household wiring. **NOTE: A dedicated 15 Amp (or higher) breaker is required.**

This appliance must be electrically connected and grounded in accordance with local codes if hard wired. In the absence of local codes, use the current NATIONAL ELECTRICAL CODE in the Europe.

Fig.A

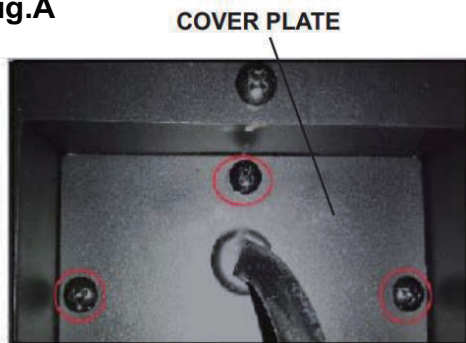
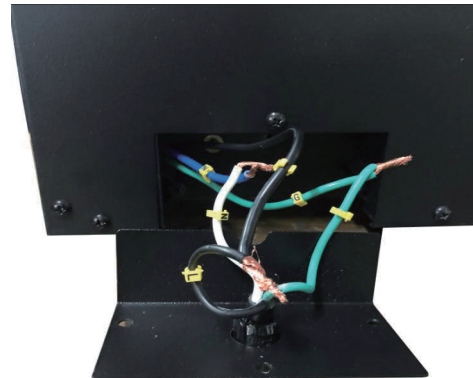


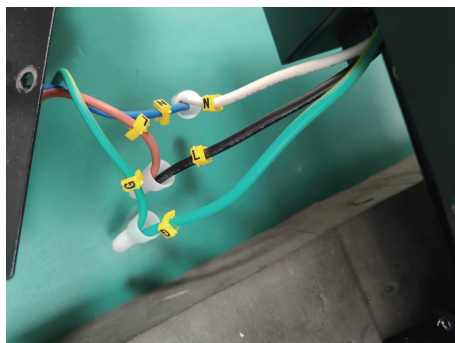
Fig.B



TURN OFF POWER FROM CIRCUIT BRACKER FIRST

- A. Remove the cover plate from the right side bottom of the appliance by removing the three screws, as shown above. (SEE FIG.A)
- B. Remove the wire connectors from the power cord. The power cord may be discarded. (SEE FIG.B)
- C. Take the new cover plate supplied in the hardware bag and punch out the 7/8" (22.2mm) hole. And install box connector through hole in cover plate. Feed wires through box connector.
- D. Using the wire connectors, connect the green ground wires (G), the common white and blue wires (N) together, then the hot black and red wires (L), (SEE FIG.C)
- E. Re-install the cover plate using the three screws, as shown in FIG.4-1.

Fig.C



7/8" (22.2mm)
Diameter



Cover Plate



Box connector

Crystals and Logs Installation

NOTE: Please install the ember bed media to your preference.

Step 1: The glass front must be removed and the appliance must be mounted in its final location before the ember bed media can be installed. **(See page 5 for glass removal instructions.)**

Step 2: Carefully place the smoked crystals **(F)** into the bottom tray on the front of the appliance as shown. Apply an even layer from side to side **(Fig. A)**.

Step 3: Carefully place the logs **(E)** onto the crystals **(Fig.B)**



Fig. A



Fig. B

Step 4: Re-install the front glass.

Operation



Read and understand this entire owner's manual, including **all safety information**, before plugging in or **using** this product. Failure to do so could result in **electric shock, fire, serious injury, or death.**

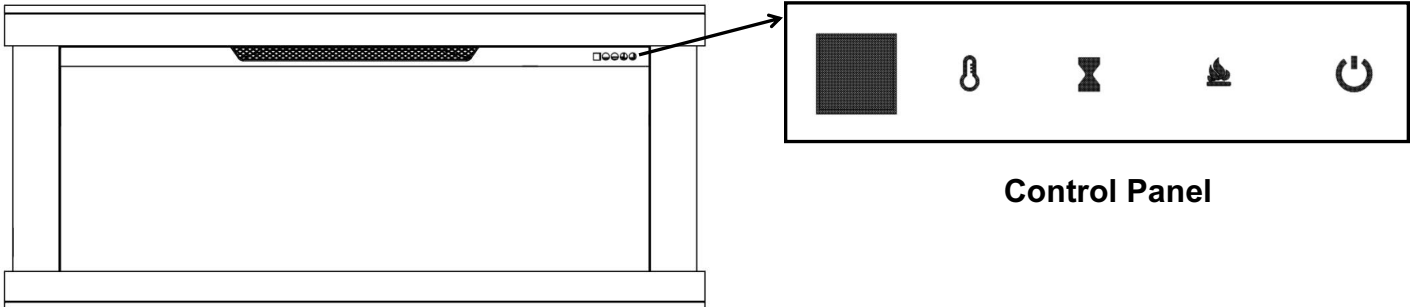
Power

Plug the power cord into an AC 220-240 Volt outlet (see **IMPORTANT SAFETY INFORMATION** on **Pages 1 and 2**). Make sure the outlet is in good condition and that the plug is not loose. **NEVER** exceed the maximum amperage for the circuit. **DO NOT** plug other appliances into the same circuit.

Methods of Operation

This electric fireplace can be operated by the CONTROL PANEL, by the battery-powered REMOTE CONTROL, or by the TUYA APP.



Before operating, please review the **IMPORTANT SAFETY INFORMATION** on **Pages 1 and 2**, and heed all warnings.

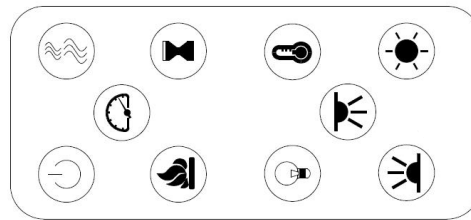


Control Panel





Control Panel Operation







BUTTON	FUNCTION	ACTION & INDICATION																																													
 POWER	<p>ON: Enables control panel functions and remote control. Turns on flame effect.</p> <p>OFF: Disables control panel functions and remote control. Turns off flame effect.</p>	<p>1. Press once. Indicator light turns on. Power turns on. All functions enabled.</p> <p>2. Press again. Flame effect turns off. Unit goes to standby. All functions turn off.</p>																																													
 TEMP	<p>1. Press once: Touch panel indicator becomes active.</p> <p>2. Press again until desired setting is reached. Digital display shows setting circles as below.</p> <table border="1"> <thead> <tr> <th>NO</th> <th>0</th> <th>1</th> <th>2</th> <th>3</th> <th>4</th> <th>5</th> <th>6</th> <th>7</th> <th>8</th> <th>9</th> <th>10</th> <th>11</th> <th>12</th> <th>N</th> </tr> </thead> <tbody> <tr> <td>°C</td> <td>18</td> <td>19</td> <td>20</td> <td>21</td> <td>22</td> <td>23</td> <td>24</td> <td>25</td> <td>26</td> <td>27</td> <td>28</td> <td>29</td> <td>30</td> <td>C</td> </tr> <tr> <td>°F</td> <td>64</td> <td>66</td> <td>68</td> <td>70</td> <td>72</td> <td>74</td> <td>76</td> <td>78</td> <td>80</td> <td>82</td> <td>84</td> <td>86</td> <td>88</td> <td>F</td> </tr> </tbody> </table>	NO	0	1	2	3	4	5	6	7	8	9	10	11	12	N	°C	18	19	20	21	22	23	24	25	26	27	28	29	30	C	°F	64	66	68	70	72	74	76	78	80	82	84	86	88	F	<p>NOTE: Press the button for 5 seconds to switch between ° C and ° F.</p>
NO	0	1	2	3	4	5	6	7	8	9	10	11	12	N																																	
°C	18	19	20	21	22	23	24	25	26	27	28	29	30	C																																	
°F	64	66	68	70	72	74	76	78	80	82	84	86	88	F																																	

 TIMER	<p>TIMER button: Controls timer settings to turn off fireplace at selected time. Settings range from 0.5 hour to 8 hours.</p>	<ol style="list-style-type: none"> Press once. Indicator light turns on. Timer defaults to 0.5 hour. Press again until desired setting is reached. Indicator lights show setting.
 FLAME COLOR	<p>FLAME COLOR button: Changes the flame color. NOTE: This fireplace has memory function for flame color.</p>	<ol style="list-style-type: none"> Press once. Flame color illuminates. Press again until desired setting is reached. There is a total of 6 flame colors.



Remote Control Operation

BUTTON	FUNCTION	ACTION & INDICATION																																													
 POWER	<p>ON: Enables control panel functions and remote control. Turns on flame effect. OFF: Disables control panel functions and remote control. Turns off flame effect.</p>	<ol style="list-style-type: none"> Press once. Indicator light turns on. Power turns on. All functions enabled. Press again. Flame effect turns off. Unit goes to standby. All functions turn off. 																																													
 TEMP	<ol style="list-style-type: none"> Press once: Touch panel indicator becomes active. Press again until desired setting is reached. The display shows below settings: <table border="1" data-bbox="282 1304 1523 1423"> <thead> <tr> <th>NO</th> <th>0</th> <th>1</th> <th>2</th> <th>3</th> <th>4</th> <th>5</th> <th>6</th> <th>7</th> <th>8</th> <th>9</th> <th>10</th> <th>11</th> <th>12</th> <th>N</th> </tr> </thead> <tbody> <tr> <td>°C</td> <td>18</td> <td>19</td> <td>20</td> <td>21</td> <td>22</td> <td>23</td> <td>24</td> <td>25</td> <td>26</td> <td>27</td> <td>28</td> <td>29</td> <td>30</td> <td>C</td> </tr> <tr> <td>°F</td> <td>64</td> <td>66</td> <td>68</td> <td>70</td> <td>72</td> <td>74</td> <td>76</td> <td>78</td> <td>80</td> <td>82</td> <td>84</td> <td>86</td> <td>88</td> <td>F</td> </tr> </tbody> </table> <p>NOTE: Press the button for 5 seconds to switch between ° C and ° F.</p>	NO	0	1	2	3	4	5	6	7	8	9	10	11	12	N	°C	18	19	20	21	22	23	24	25	26	27	28	29	30	C	°F	64	66	68	70	72	74	76	78	80	82	84	86	88	F	
NO	0	1	2	3	4	5	6	7	8	9	10	11	12	N																																	
°C	18	19	20	21	22	23	24	25	26	27	28	29	30	C																																	
°F	64	66	68	70	72	74	76	78	80	82	84	86	88	F																																	
 TIMER	<p>TIMER button: Controls timer settings to turn off fireplace at selected time. Settings range from 0.5 hour to 8 hours.</p>	<ol style="list-style-type: none"> Press once. Indicator light turns on. Timer defaults to 0.5 hour. Press again until desired setting is reached. Indicator lights show setting. 																																													
 SPEED	<p>FLAME SPEED button: Controls the speed of the flame. There are 3 flame speed settings: 01 (slow), 02 (medium), 03 (fast).</p>	<ol style="list-style-type: none"> Press once. Current flame speed is shown. Press again until desired setting is reached. Display shows the setting. The default setting is 03 (fast). 																																													

 FLAME COLOR	<p>FLAME COLOR button: Changes the flame color.</p> <p>NOTE: This fireplace has memory function for flame color.</p>	<ol style="list-style-type: none"> 1. Press once. Flame color illuminates. 2. Press again until desired setting is reached. There is a total of 6 flame colors.
 FLAME BRIGHTNESS	<p>FLAME BRIGHTNESS button: Makes flame dimmer and brighter.</p>	<ol style="list-style-type: none"> 1. Press once. Flame brightness is enabled. 2. Press again until desired setting is reached.
 EMBER BED LIGHTS	<p>EMBER BED LIGHTS button: Turns on media bed and changes color.</p> <p>NOTE: This fireplace has memory function for ember bed lighting.</p>	<ol style="list-style-type: none"> 1. Press once. Ember bed turns on. 2. Press again until desired setting is reached. There is a total of 13 ember bed colors. <p>01-02-03-04-05-06-07-08-09-10-11-12-13-14 (Auto Cycle)-15 (OFF)</p>
 EMBER BED BRIGHTNESS	<p>EMBER BED BRIGHTNESS button: Makes media bed dimmer and brighter.</p>	<ol style="list-style-type: none"> 1. Press once. Brightness becomes active. 2. Press again until desired setting is reached. There is a total of 4 brightness levels and 1 pulsating level. <p>b4-b3-b2-b1-b5 (Pulsating)</p>
 DOWN LIGHT	<p>DOWN LIGHT button: Turns on the LED down light and changes color.</p> <p>NOTE: This fireplace has memory function for the down light.</p>	<ol style="list-style-type: none"> 1. Press once. LED down light is powered on. 2. Press again until desired setting is reached. There is a total of 13 down light colors. <p>01-02-03-04-05-06-07-08-09-10-11-12-13-14 (Auto Cycle)-15 (OFF)</p>
 HEATER	<p>HEATER button: Turns heater on and off.</p> <p>NOTE: To prevent overheating, the heater fan will blow cool air for 8-10 seconds after the heater turns off.</p>	<p>Settings:</p> <p>H0: Heater and blower off</p> <p>bL: Blower on</p> <p>H1: Low heat on (750W)</p> <p>H2: High heat on (1500W)</p>

NOTICE

When the heater is first turned on, a slight odor may be present. This is normal and should not occur again unless the heater is not used for a long period of time.

NOTICE

To improve operation, **aim** the remote control at the front of the fireplace. **DO NOT press the buttons too quickly.** Give the unit time to respond to each command.

Temperature Limiting Control

This heater is equipped with a Temperature Limiting Control. Should the heater reach an unsafe temperature, the heater will automatically turn OFF. To reset:

1. Turn the unit off and unplug the power cord from the outlet. **Wait 5 minutes.**
2. Inspect the fireplace to make sure no vents are blocked or clogged with dust or lint. If they are, use a vacuum to clean the vent areas.
3. Plug the cord into the power outlet and turn the unit on.
4. If the problem continues, have your outlet and wiring inspected by a professional.

Remote Control Battery Information

- Remote control uses one **CR2025** battery (**Included**)



NEVER dispose of batteries in **fire**. Failure to observe this precaution **may result in an explosion**. Dispose of batteries at your local hazardous material processing center.

Care and Maintenance

Cleaning



ALWAYS turn the heater **OFF** and **unplug the power cord from the outlet** before cleaning, performing maintenance, or moving this fireplace. Failure to do so could result in **electric shock, fire, or personal injury**.



NEVER immerse in **water** or **spray with water**. Doing so could result in **electric shock, fire, or personal injury**.

Metal:

- Buff using a soft cloth, slightly dampened with a citrus oil-based product.
- **DO NOT** use brass polish or household cleaners as these products will damage the metal trim.

Glass:

- Use a good quality glass cleaner sprayed onto a cloth or towel. Dry thoroughly with a paper towel or lint-free cloth.
- **NEVER** use abrasive cleansers, liquid sprays, or any cleaner that could scratch the surface.

Vents:

- Use a vacuum or duster to remove dust and dirt from the heater and vent areas.

Plastic:

- Wipe gently with a slightly damp cloth and a mild solution of dish soap and warm water.
- **NEVER** use abrasive cleansers, liquid sprays, or any cleaner that could scratch the surface.

Maintenance



Risk of electric shock! DO NOT OPEN any panels! No user-serviceable parts inside!



ALWAYS turn the heater **OFF** and **unplug the power cord from the outlet** before cleaning, performing maintenance, or moving this fireplace. Failure to do so could result in **electric shock, fire, or personal injury.**

Electrical and Moving Parts:

- The fan motors are lubricated at the factory and will not require lubrication.
- Electrical components are integrated in the fireplace and are not serviceable by the consumer.

Storage:

- Store heater in a clean dry place when not in use.



WARNING! NO SERVICING of the internal or electrical parts should be performed by the consumer. Do not service the unit yourself.