

WALL MOUNT & WALL RECESSED ELECTRIC FIREPLACE

MODEL# ■ EF-MELO39 ■ EF-MELO47 ■ EF-MELO55 ■ EF-MELO63 ■ EF-MELO72

OWNER'S MANUAL



Wall Mounted / Built-in Electric Fireplace

AC 220V-240V 50Hz 1400-1600W

WARNING

Read and understand this entire owner's manual, including **all safety information**, before **plugging in** or **using** this product. Failure to do so could result in **fire, electric shock, or serious personal injury**.

CAUTION

Keep this owner's manual for future reference. If you sell or give this product away, **make sure this manual accompanies this product**.

IMPORTANT SAFETY INFORMATION!

WARNING

When using electrical appliances basic precautions should always be followed to reduce the risk of fire, electric shock and injury to persons, including the following:

- Read all instructions before using this heater.
- This heater is hot when in use. To avoid burning, do not touch hot surface. If provided, use handles when moving this heater. Keep combustible materials, such as furniture, pillows, bedding, papers, clothes, and curtains at least 1 m from the front of the heater and keep them away from the sides and rear. In order to avoid overheating, do not cover the heater.
- Extreme caution is necessary when any heater is used near children or the infirm and whenever the heater is left operating and unattended.
- Always unplug heater when not in use.
- Do not operate any heater with a damaged cord or plug or after the heater malfunctions, has been dropped damaged in any manner, return heater to authorized service facility for examination, electrical or mechanical adjustment, or repair.
- Indoor use only, do not use outdoors.
- This heater is not intended for use in bathrooms, laundry areas and similar indoor locations. Never locate heater where it may fall into a bathtub or other water container.
- Do not run cord under carpeting. Do not cover cord with throw rugs, runners, or similar coverings. Arrange cord away from traffic area and where it will not be tipped over.
- To disconnect heater, turn controls to off, then remove plug from outlet.
- Do not insert or allow foreign objects to enter any ventilation or exhaust opening as this may cause an electric shock or fire, or damage the heater.
- To prevent a possible fire, do not block air intakes or exhaust in any manner. Do not use on soft surfaces, like a bed, where openings may become blocked.
- A heater has hot and arcing or sparking parts inside. Do not use it in areas where gasoline, or flammable liquids are used or stored.
- Use this heater only as describes in this manual. Any other use not recommended by the manufacturer may cause fire, electric shock, or injury to persons.
- DANGER-HIGH Temperatures may be generated under certain abnormal conditions. Do not partially or fully cover or obstruct the front of this heater.
- Replacement of the lamps should be done only while the heater is disconnected from the supply circuit.
- This appliance is not intended for use by persons (including children) with reduced physical, sensory or capabilities, or lack of experience and knowledge, unless they have been given supervision or instruction concerning use of the appliance by a person responsible for their safety. Children should be supervised to ensure that they do not play with the appliance.
- CAUTION: In order to avoid a hazard due to inadvertent resetting of the thermal cut-out, this appliance must not be supplied through an external switching device, such as a timer, or connected to a circuit that is regularly switched on and off by the utility.

Preparation

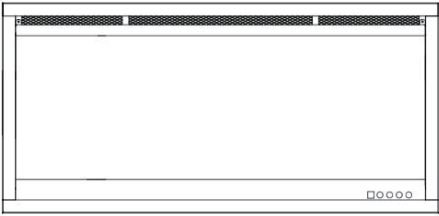


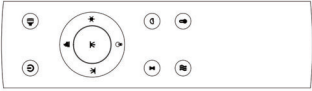
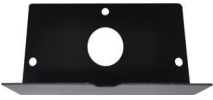






This product includes a **GLASS panel** ! Always use extreme caution when handling **glass**. Failure to do so could result in personal injury or property damage.

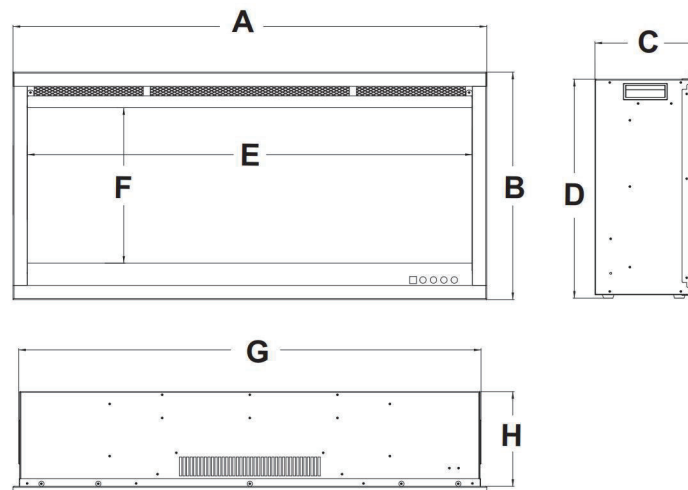
Remove all parts and hardware from the carton and place them on a clean, soft, dry surface. Parts and assembly steps are grouped for wall-hanging or recessing use. Check the parts list to make sure nothing is missing. Dispose of packaging materials properly. Please recycle whenever possible.

You will need the following tools (not included): Phillips screwdriver; stud finder; level; tape measure; electric drill; 1/4" wood drill bit, hammer.

Parts and Hardware

 <p>A – Fireplace</p>				
	B - Wood Screws		C - Drywall anchors	
	 <p>D- Remote Control</p>			
 <p>E - Metal Cover</p>	 <p>F- Box Connector</p>	 <p>G- Smoky Crystals</p>	 <p>H- Translucent Logs</p>	 <p>I-Vermiculite</p>

Specification and Dimension



PRODUCT DIMENSIONS (mm)

Model Number	A	B	C	D	E	F	G	H
EF-MELO39	39.4" [1000mm]	18.9" [480mm]	8.5" [215mm]	18.2" [462mm]	37" [939mm]	12.9" [328mm]	38.4" [976mm]	7.9" [200mm]
EF-MELO47	47.2" [1200mm]	18.9" [480mm]	8.5" [215mm]	18.2" [462mm]	44.8" [1139mm]	12.9" [328mm]	46.3" [1176mm]	7.9" [200mm]
EF-MELO55	55.1" [1400mm]	18.9" [480mm]	8.5" [215mm]	18.2" [462mm]	52.7" [1339mm]	12.9" [328mm]	54.2" [1376mm]	7.9" [200mm]
EF-MELO63	63" [1600mm]	18.9" [480mm]	8.5" [215mm]	18.2" [462mm]	60.6" [1539mm]	12.9" [328mm]	62" [1576mm]	7.9" [200mm]
EF-MELO72	70.9" [1800mm]	18.9" [480mm]	8.5" [215mm]	18.2" [462mm]	68.5" [1739mm]	12.9" [328mm]	69.9" [1776mm]	7.9" [200mm]

Installation and Assembly

Your appliance is a wall recessed appliance. Select a suitable location that is not susceptible to moisture and is away from drapes, furniture and high traffic areas.

NOTE: Follow all National and local electrical codes. The Electric fireplace comes with the power plug supplied, to switch to hard-wiring, please refer to hard-wiring installation section.

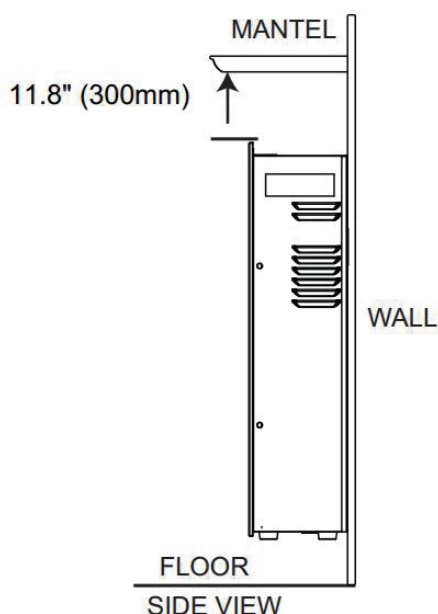
MINIMUM CLEARANCE TO COMBUSTIBLES

Measurements are taken from the glass front.			
Bottom	0"	Top	11.8" (300mm) to mantel
Sides	0"	Top	11.8" (300mm) to ceiling
Back	0"	Front	39.4" (1000mm)

MINIMUM MANTEL CLEARANCES

! WARNING

WHEN USING PAINT OR LACQUER TO FINISH THE MANTEL, THE PAINT OR LACQUER MUST BE HEAT RESISTANT TO PREVENT DISCOLOURATION.



Hard wiring installation for wall recessed

WARNING

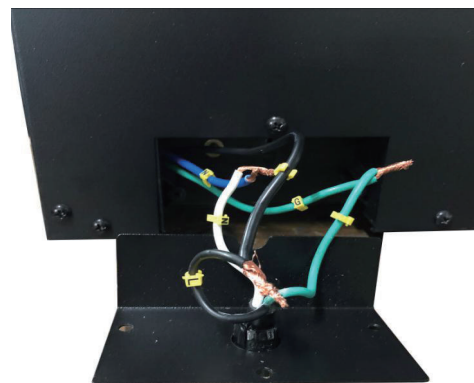
TURN OFF THE APPLIANCE COMPLETELY AND LET COOL BEFORE SERVICING. ONLY A QUALIFIED SERVICE PERSON SHOULD SERVICE AND REPAIR THIS ELECTRIC APPLIANCE.

If it is necessary to hard wire this appliance, a qualified electrician must remove the cord connection and wire the appliance directly to the household wiring. **NOTE: A dedicated 15 Amp (or higher) breaker is required.** This appliance must be electrically connected and grounded in accordance with local codes if hard wired.

Fig.A



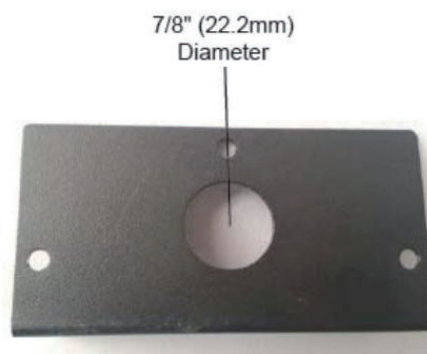
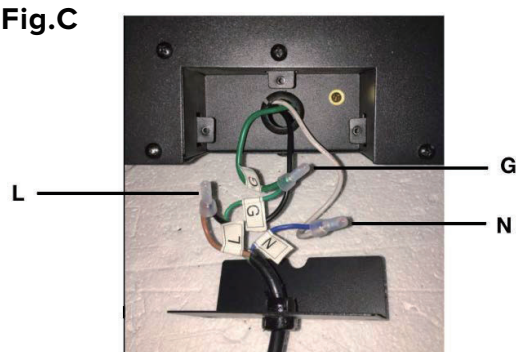
Fig.B



TURN OFF POWER FROM CIRCUIT BRACKER FIRST

- A. Remove the cover plate from the right side bottom of the appliance by removing the three screws, as shown above. **(SEE FIG.A)**
- B. Remove the wire connectors from the power cord. The power cord may be discarded. **(SEE FIG.B)**
- C. Take the new cover plate supplied in the hardware bag and punch out the 7/8" (22.2mm) hole. And install box connector through hole in cover plate. Feed wires through box connector.
- D. Using the wire connectors, connect the green ground wires (G), the common white wires (N) together, then the hot black wires (L), **(SEE FIG.C)**
- E. Re-install the cover plate using the three screws, as shown in **FIG.A**

Fig.C



Front Glass Installation / Removal

- Take off the two screws from the side of glass panel. **Fig.1-1**
- Tilt the front glass forwards, and have two people to move out the glass panel. **Fig.1-2**
- Reverse these steps to re-install the front glass.

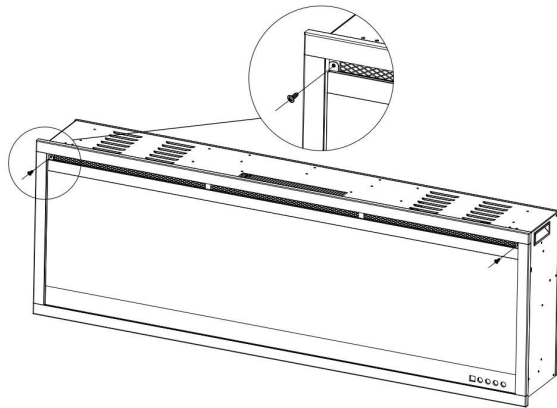


Fig. 1-1

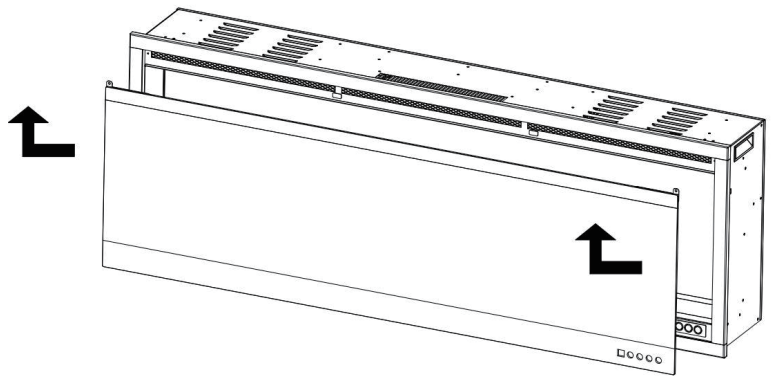
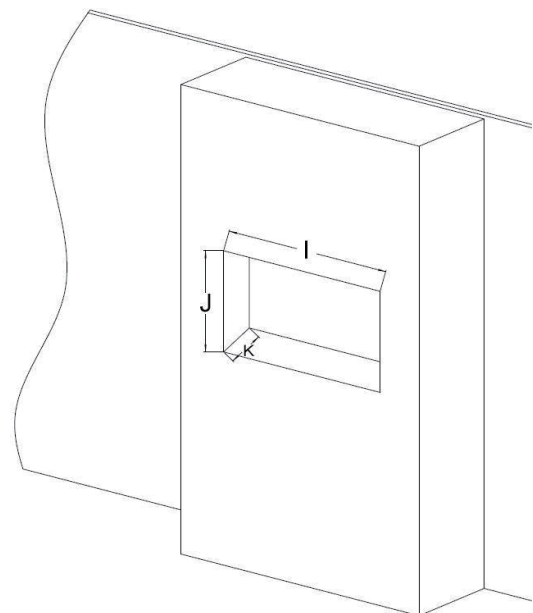
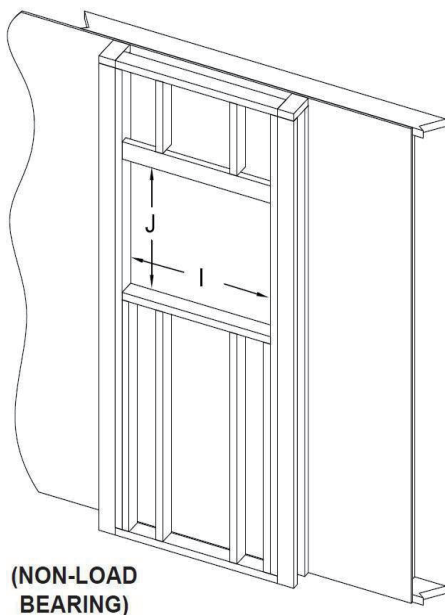


Fig. 1-2

Wall Recessed Pre-installation / Rough Framing

Due to the many different materials used on different walls, it is highly recommended that you consult your local builder before you install this appliance.

- Select a location that is not prone to moisture and is located at least 36" (94.1cm) away from combustible materials such as curtain drapes, furniture, bedding, paper, etc.
- Create a rough-in frame with electrical (see below "framing").
- Remove the front glass (see "front glass removal / installation" section).
- Hold the appliance up to ensure it will fit into the framing.



Model Number	J	I	K
EF-MELO39	18.5" [470mm]	38.8" [986mm]	8.66" [220mm]
EF-MELO47	18.5" [470mm]	46.7" [1186mm]	8.66" [220mm]
EF-MELO55	18.5" [470mm]	54.5" [1386mm]	8.66" [220mm]
EF-MELO63	18.5" [470mm]	62.4" [1586mm]	8.66" [220mm]
EF-MELO72	18.5" [470mm]	70.3" [1786mm]	8.66" [220mm]

Wall Recessed Installation

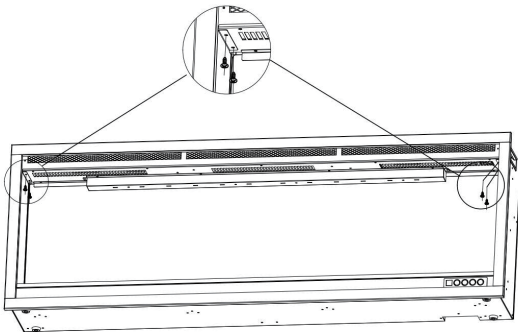


Fig. 2-1

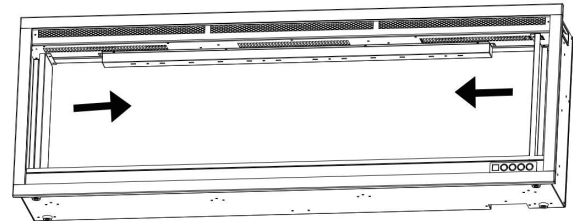


Fig. 2-2

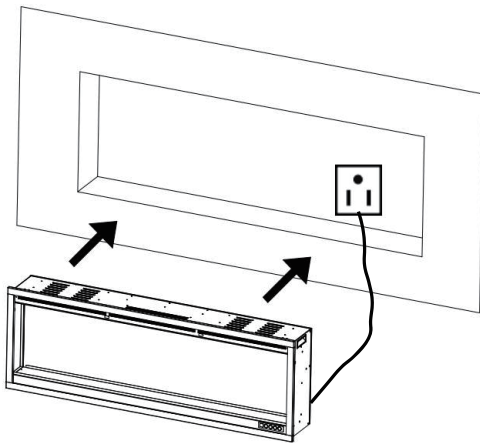


Fig. 2-3

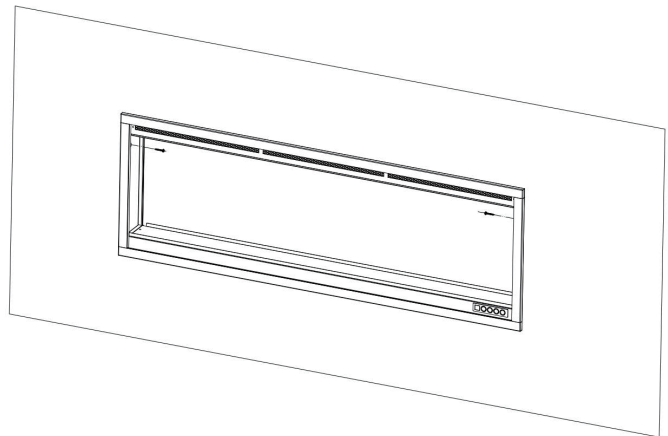


Fig. 2-4

1. Remove four screws (two on each side) from the two sides of the fireplace. **Fig.2-1**
2. Take out the two metal brackets. **Fig.2-2**
3. Power the fireplace by plug-into the wall receptacle. **Fig.2-3**

4. Have two adult people to lift up the fireplace and insert it into the rough-in frame and then secure it by installing **2** wood screws **(B)** through the holes. **(Fig. 2-3, Fig 2-4)** . After that, re-install the metal brackets.
5. Put the decorative crystals and logs to the ember bed, then re-install the front glass.
6. Reverse these steps to re-install front glass.

Logs / Smoky Crystals / Vermiculite Installation

- A.** Glass front must be removed and the appliance must be mounted in its final location before the ember media are installed.
- B.** Carefully place the smoky crystals **(G)** into the bottom tray on the front of the appliance as illustrated. Apply an even layer from side to side. Randomly place the black vermiculite on the surface of the crystals. **Fig. 3-1.**
- C.** Place the logs **(H)** on top of the smoky crystals. **Fig. 3-2.**



Fig. 3-1



Fig. 3-2

Operation



Read and understand this entire owner's manual, including **all safety information**, before plugging in or **using** this product. Failure to do so could result in **electric shock, fire, serious injury, or death.**

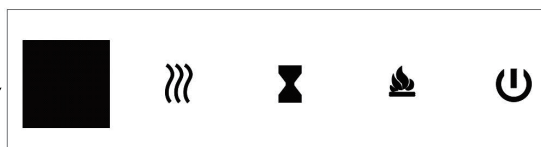
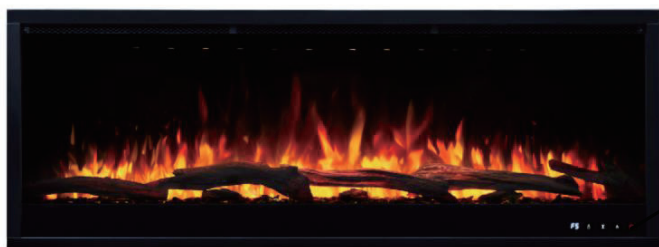
Power

Plug the power cord into a AC 220-240 Volt outlet (see **IMPORTANT SAFETY INFORMATION** on **Pages 2 and 3**). Make sure the outlet is in good condition and that the plug is not loose. **NEVER** exceed the maximum amperage for the circuit. **DO NOT** plug other appliances into the same circuit.

Methods of Operation

This electric fireplace can be operated by the TOUCH ON CONTROL PANEL, by the battery-powered REMOTE CONTROL and Tuya Smart APP.



Before operating, please review the **IMPORTANT SAFETY INFORMATION** on **Pages 2 and 3**, and heed all warnings.

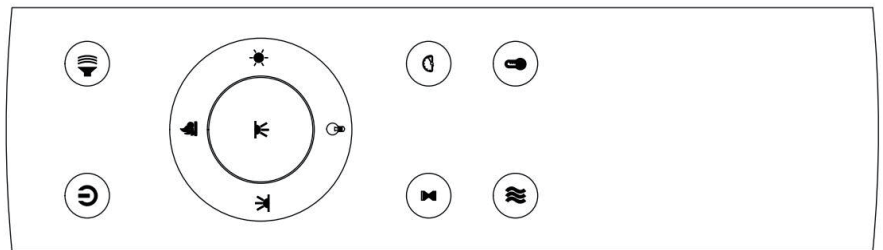


Touch Panel




Touch Control Panel Operation







BUTTON	FUNCTION	ACTION & INDICATION
 POWER	<p>ON: Enables control panel functions and remote control. Turns on flame effect.</p> <p>OFF: Disables control panel functions and remote control. Turns off flame effect.</p>	<ol style="list-style-type: none"> Press once. Indicator light turns on. Power turns on. All functions enabled. Press again. Flame effect turns off. Unit goes to standby. All functions turn off.
 FLAME COLOR	<p>Flame color button: Makes the color flame effect changing.</p> <p>NOTE: color effect stays on until power button is turned off. Color flame effect must be on for heater to turn on.</p> <p>NOTE: this fireplace is with memory function for flame.</p>	<ol style="list-style-type: none"> Press once. Flame color effect gets changing. Press again until desired setting is reached. In total 3 colors for flame.



 TIMER	<p>TIMER button: Controls timer settings to turn off fireplace at selected time.</p> <p>Settings range from 0.5 hours to 8 hours.</p>	<ol style="list-style-type: none"> Press once. Indicator light turns on. Timer is set to 0.5 hours. Press again until desired setting is reached. Indicator lights show setting.
 HEATER	<p>HEATER button: Turns heater on and off.</p> <p>NOTE: To prevent overheating, the heater fan will blow cool air for 8-10 seconds after the heater turns off.</p>	<ol style="list-style-type: none"> Press once. Indicator lights up. Fan blows cool air for 10 seconds. 750W heater turns on and blows warm air. Press again. Indicator lights up. 1500W heater turns on and blows hot air. Press again. Heaters turn off.



Remote Control Operation

BUTTON	FUNCTION	ACTION & INDICATION																																							
 POWER	<p>ON: Enables control panel functions and remote control. Turns on flame effect.</p> <p>OFF: Disables control panel functions and remote control. Turns off flame effect.</p>	<ol style="list-style-type: none"> Press once. Indicator light turns on. Power turns on. All functions enabled. Press again. Flame effect turns off. Unit goes to standby. All functions turn off. 																																							
 TEMP	<ol style="list-style-type: none"> Press once: Touch panel indicator becomes active. Press again until desired setting is reached. Digital display shows below setting: <table border="1" data-bbox="276 1518 1326 1641"> <tr> <td>NO</td><td>1</td><td>2</td><td>3</td><td>4</td><td>5</td><td>6</td><td>7</td><td>8</td><td>9</td><td>10</td><td>11</td><td>N</td> </tr> <tr> <td>°C</td><td>20</td><td>21</td><td>22</td><td>23</td><td>24</td><td>25</td><td>26</td><td>27</td><td>28</td><td>29</td><td>30</td><td>C</td> </tr> <tr> <td>°F</td><td>68</td><td>70</td><td>72</td><td>74</td><td>76</td><td>78</td><td>80</td><td>82</td><td>84</td><td>86</td><td>88</td><td>F</td> </tr> </table> <p>NOTE: Press the button for 5 seconds to switch between °C and °F</p>	NO	1	2	3	4	5	6	7	8	9	10	11	N	°C	20	21	22	23	24	25	26	27	28	29	30	C	°F	68	70	72	74	76	78	80	82	84	86	88	F	
NO	1	2	3	4	5	6	7	8	9	10	11	N																													
°C	20	21	22	23	24	25	26	27	28	29	30	C																													
°F	68	70	72	74	76	78	80	82	84	86	88	F																													
 TIMER	<p>TIMER button: Controls timer settings to turn off fireplace at selected time.</p> <p>Settings range from 0.5 hours to 8 hours.</p>	<ol style="list-style-type: none"> Press once. Indicator light turns on. Timer is set to 0.5 hours. Press again until desired setting is reached. Indicator lights show setting. 																																							

 <p>FLAME SPEED</p>	<p>Flame speed button :Controls the speed of the flame.There are 5 flame speed settings.</p>	<ol style="list-style-type: none"> 1. Press once. Flame speed gets changing. 2. Press again until desired setting is reached. Display shows the setting. The Default setting is 02.
 <p>FLAME COLOR</p>	<p>Flame color button : Makes the color flame effect changing.</p> <p>NOTE: color effect stays on until power button is turned off. Color flame effect must be on for heater to turn on.</p> <p>NOTE: this fireplace is with memory function for flame.</p>	<ol style="list-style-type: none"> 1. Press once . Flame color effect gets changing. 2. Press again until desired setting is reached. In total 3 colors for flame.
 <p>FLAME BRIGHTNESS</p>	<p>FLAME button : Makes flame effect dimmer and brighter.</p> <p>NOTE: Flame effect stays on until power button is turned off. Flame effect must be on for heater to turn on.</p>	<ol style="list-style-type: none"> 1. Press once. Indicator light turns on. Flame brightness effect gets changing. 2. Press again. until desired setting is reached.
 <p>EMBER LIGHTS</p>	<p>LED Ember light button : Makes the color on bottom effect gets changing.</p> <p>NOTE: Ember color effect stays on until power button is turned off.</p> <p>NOTE: this fireplace is with memory function for LED ember lights.</p>	<ol style="list-style-type: none"> 1. Press once . LED ember light color effect gets changing. 2. Press again until desired setting is reached. In total 13 colors. 3. Auto-cycle function: When pressing with the 14th time, the LED ember light will do auto-cycling (NOTE: It will take 15 seconds to switch between colors.)
 <p>EMBER BRIGHTNESS</p>	<p>LED Ember light brightness button : Makes the LED ember lights on bottom effect gets changing.</p> <p>NOTE: LED Ember light brightness effect stays on until power button is turned off.</p>	<ol style="list-style-type: none"> 1. Press once . LED ember light color effect gets changing. 2. Press again until desired setting is reached. In total 5 levels. From L1 - L2 - L3 - L4 - L5 (Pulsating) - L0 (OFF)
 <p>DOWN LIGHTS</p>	<p>LED down light button : Makes the color on top effect gets changing.</p> <p>NOTE: this fireplace is with memory function for LED down lights.</p>	<ol style="list-style-type: none"> 1. Press once . LED down light color effect gets changing. 2. Press again until desired setting is reached. In total 13 colors. 3. Auto-cycle function: When pressing with the 14th time, the LED down light will do auto-cycling (NOTE: It will take 15 seconds to switch between colors.)

 CRACKER	Fire cracker sound button: Controls the crackling sound of the flame. There are 4 settings: Low, Medium, High, Off.	<ol style="list-style-type: none"> 1. Press once. Fire crackling sound getting change. 2. Press again until desired setting is reached.
 HEATER	HEATER button: Turns heater on and off. NOTE: To prevent overheating, the heater fan will blow cool air for 8-10 seconds after the heater turns off.	<ol style="list-style-type: none"> 1. Press once. Indicator lights up. Fan blows cool air for 10 seconds. 750W heater turns on and blows warm air. 2. Press again. Indicator lights up. 1500W heater turns on and blows hot air. 3. Press again. Heaters turn off.

NOTICE	When the heater is first turned on, a slight odor may be present. This is normal and should not occur again unless the heater is not used for a long period of time.
---------------	--

NOTICE	To improve operation, aim the remote control at the front of the fireplace. DO NOT press the buttons too quickly. Give the unit time to respond to each command.
---------------	--


Temperature Limiting Control

This heater is equipped with a Temperature Limiting Control. Should the heater reach an unsafe temperature, the heater will automatically turn OFF. To reset:

1. Unplug the power cord from the outlet.
2. Turn the ON/OFF switch on the CONTROL PANEL to OFF. **Wait 5 minutes.**
3. Inspect the fireplace to make sure no vents are blocked, or clogged with dust or lint. If they are, use a vacuum to clean the vent areas.
4. With the POWER switch in the OFF position, plug the power cord back into the outlet.
5. If the problem continues, have your outlet and wiring inspected by a professional.

Remote Control Battery Information

- Remote control uses two **AAA** batteries(**Not Included**)

	NEVER dispose of batteries in fire . Failure to observe this precaution may result in an explosion . Dispose of batteries at your local hazardous material processing center.
---	--

Care and Maintenance

Cleaning



ALWAYS turn the heater **OFF** and **unplug the power cord from the outlet** before cleaning, performing maintenance, or moving this fireplace. Failure to do so could result in **electric shock, fire, or personal injury**.



NEVER immerse in water or **spray with water**. Doing so could result in **electric shock, fire, or personal injury**.

Metal:

- Buff using a soft cloth, slightly dampened with a citrus oil-based product.
- **DO NOT** use brass polish or household cleaners as these products will damage the metal trim.

Glass:

- Use a good quality glass cleaner sprayed onto the cloth or towel. Dry thoroughly with a paper towel or lint-free cloth.
- **NEVER** use abrasive cleansers, liquid sprays, or any cleaner that could scratch the surface.

Vents:

- Use a vacuum or duster to remove dust and dirt from the heater and vent areas.

Plastic:

- Wipe gently with a slightly damp cloth and a mild solution of dish soap and warm water.
- **NEVER** use abrasive cleansers, liquid sprays, or any cleaner that could scratch the surface.

Maintenance



Risk of electric shock! DO NOT OPEN any panels ! No user-serviceable parts inside!



ALWAYS turn the heater **OFF** and **unplug the power cord from the outlet** before cleaning, performing maintenance, or moving this fireplace. Failure to do so could result in **electric shock, fire, or personal injury**.

Electrical and Moving Parts:

- The fan motors are lubricated at the factory and will not require lubrication.
- Electrical components are integrated in the fireplace and are not serviceable by the consumer.

Storage:

- Store heater in a clean dry place when not in use.



WARNING! NO SERVICING of the internal or electrical parts should be performed by the consumer. Do not service the unit yourself.



WEEE :

Meaning of crossed –out wheeled dustbin:

Do not dispose of electrical appliances as unsorted municipal waste, use separate collection facilities. Contact you local government for information regarding the collection systems available. If electrical appliances are disposed of in landfills or dumps, hazardous substances can leak into the groundwater and get into the food chain, damaging your health and well-being.

When replacing old appliances with new ones, the retailer is legally obligated to take back your old appliance for disposals at least free of charge.