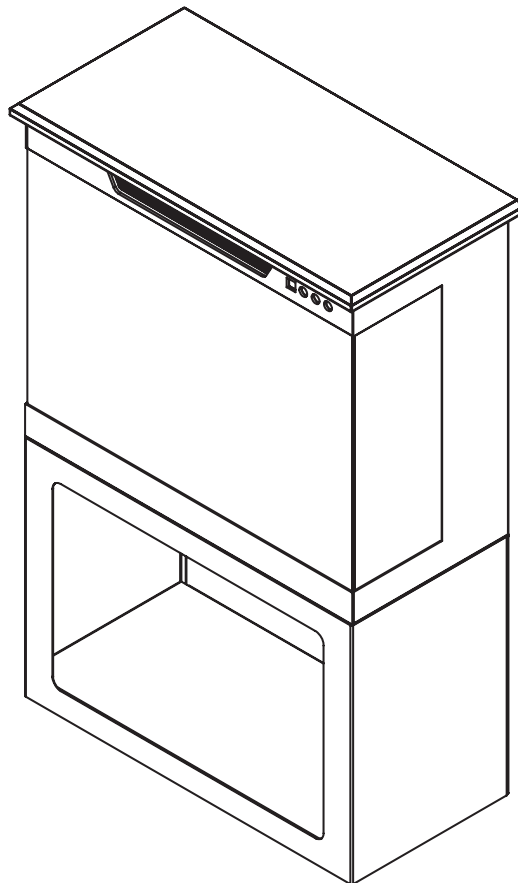


CONRAD BASE

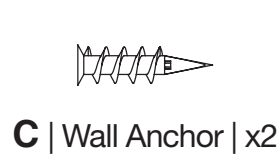
for 3-Sided Electric Fireplace Stove



Model: EF-CON24-BS

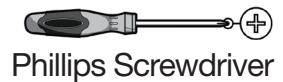
OWNER'S MANUAL

Parts



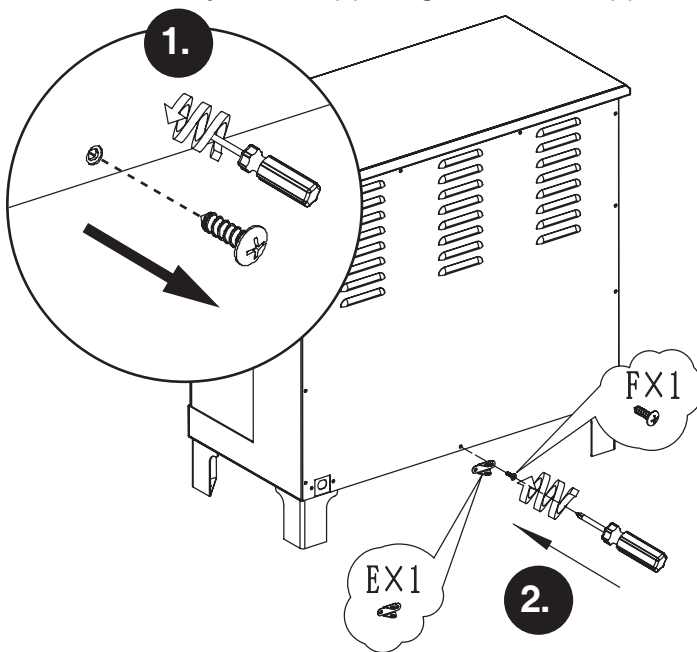
Tools

(NOT INCLUDED)

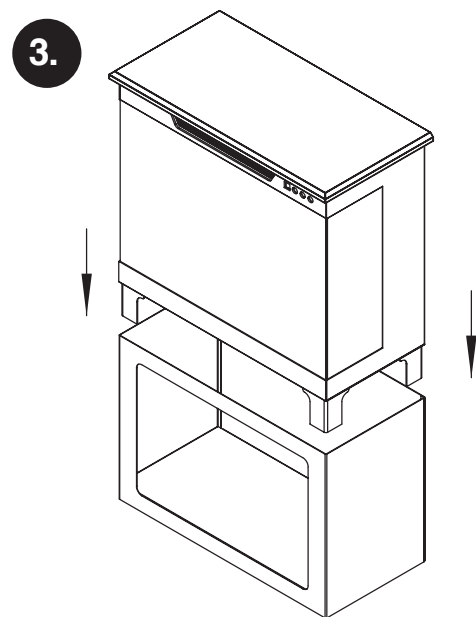


Installation & Assembly

1. Remove Stove Screw (F) from the back of the stove.
2. Attach Safety Bracket (E) using Stove Screw (F).

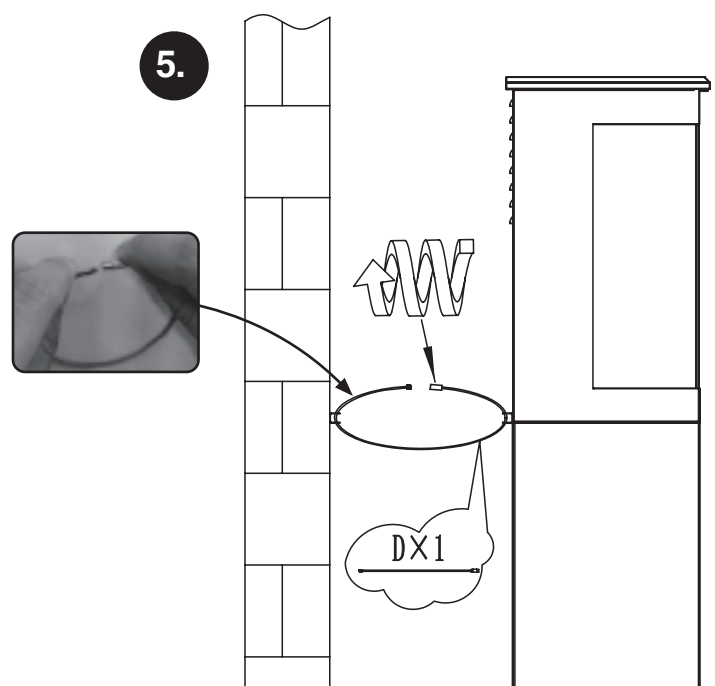


3. Place the Stove into the 3-Sided Stove Base. Press down on all 4 corners to ensure the stove is secure.



4. Thread Safety Strap (D) through back of Stove's Safety Bracket and remaining Safety Bracket (E). Use Safety Bracket to mark hole locations and drill pilot holes. Insert Wall Anchors (C). Secure remaining Safety Bracket (E) to wall using Wall Screws (B).

5. Place Safety Strap (D) between wall and stove Safety Brackets (E) and tighten Safety Strap (D).



NOTE:

Anchor is not necessary if screw is going into a stud.

