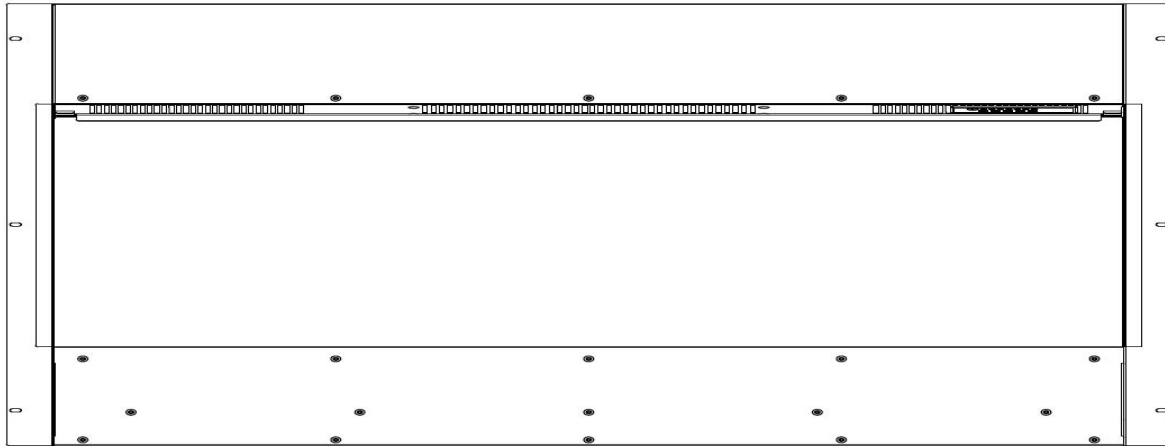


# ARISTO INSERT ELECTRIC FIREPLACE

## OWNERS MANUAL

Model Numbers:  EF-ARIS28  EF-ARIS50



**AC 220-240V 50Hz 1400-1600W**

### **WARNING**

**Read and understand** this entire owner's manual, including **all safety information**, before plugging in or **using** this product. Failure to do so could result in **fire, electric shock, or serious personal injury**.

### **CAUTION**

**Keep this owner's manual** for future reference. If you sell or give this product away, **make sure this manual accompanies this product**.

#### **WARNING:**

Button cell Batteries are Hazardous (new or used).  
**KEEP AWAY FROM CHILDREN.**

It can cause severe or fatal injuries in 2 hours or less if they are swallowed or placed inside any part of the body. If you suspect your child has swallowed, please call 24-hour poisons information centre on 13 11 26 for fast, expert advice.



# IMPORTANT SAFETY INFORMATION!

## WARNING

**When using electrical appliances basic precautions should always be followed to reduce the risk of fire, electric shock and injury to persons, including the following:**

- Read all instructions before using this heater.
- This heater is hot when in use. To avoid burning, do not touch hot surface. If provided, use handles when moving this heater. Keep combustible materials, such as furniture, pillows, bedding, papers, clothes, and curtains at least 1 m from the front of the heater and keep them away from the sides and rear. In order to avoid overheating, do not cover the heater.
- Extreme caution is necessary when any heater is used near children or the infirm and whenever the heater is left operating and unattended.
- Always unplug heater when not in use.
- Do not operate any heater with a damaged cord or plug or after the heater malfunctions, has been dropped damaged in any manner, return heater to authorized service facility for examination, electrical or mechanical adjustment, or repair.
- Indoor use only, do not use outdoors.
- This heater is not intended for use in bathrooms, laundry areas and similar indoor locations. Never locate heater where it may fall into a bathtub or other water container.
- Do not run cord under carpeting. Do not cover cord with throw rugs, runners, or similar coverings. Arrange cord away from traffic area and where it will not be tipped over.
- To disconnect heater, turn controls to off, then remove plug from outlet.
- Do not inset or allow foreign objects to enter any ventilation or exhaust opening as this may cause an electric shock or fire, or damage the heater.
- To prevent a possible fire, do not block air intakes or exhaust in any manner. Do not use on soft surfaces, like a bed, where openings may become blocked.
- A heater has hot and arcing or sparking parts inside. Do not use it in areas where gasoline, or flammable liquids are used or stored.
- Use this heater only as describes in this manual. Any other use not recommended by the manufacturer may cause fire, electric shock, or injury to persons.
- DANGER-HIGH Temperatures may be generated under certain abnormal conditions. Do not partially or fully cover or obstruct the front of this heater.
- Replacement of the lamps should be done only while the heater is disconnected from the supply circuit.
- This appliance is not intended for use by persons (including children) with reduced physical, sensory or capabilities, or lack of experience and knowledge, unless they have been given supervision or instruction concerning use of the appliance by a person responsible for their safety. Children should be supervised to ensure that they do not play with the appliance.
- CAUTION: In order to avoid a hazard due to inadvertent resetting of the thermal cut-out, this appliance must not be supplied through an external switching device, such as a timer, or connected to a circuit that is regularly switched on and off by the utility.

# Preparation

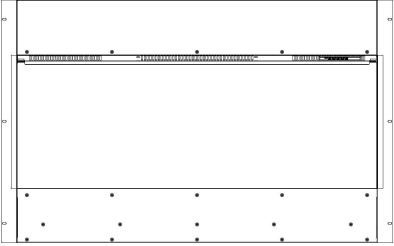




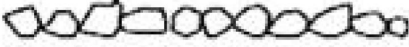
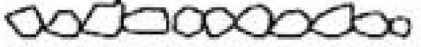


This product includes a **GLASS panel!** Always use **extreme caution** when **using**. Failure to do so could result in **personal injury** or **property damage**.

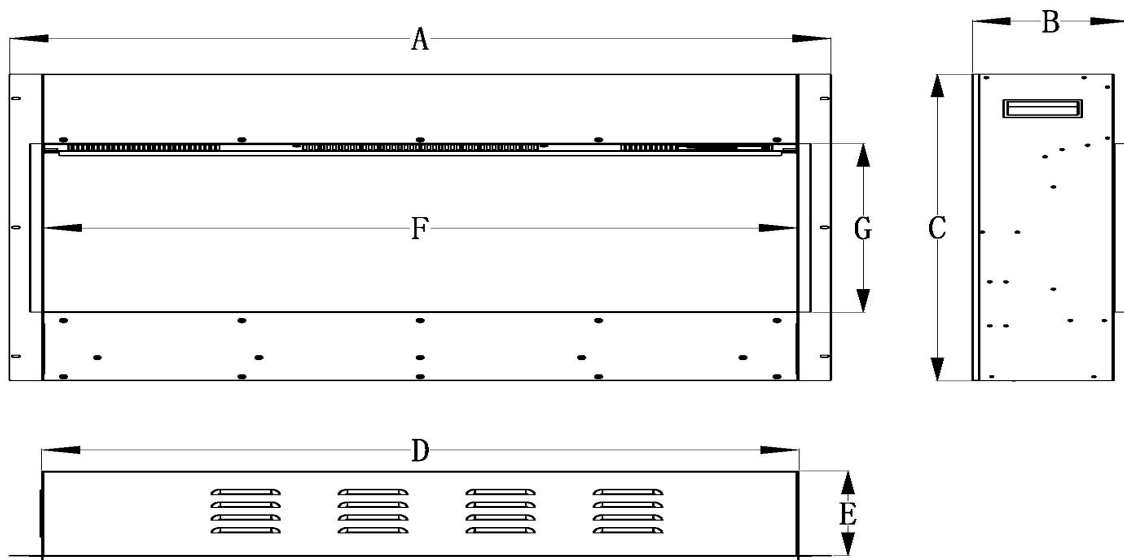
Remove all parts and hardware from the carton and place them on a clean, soft, dry surface. Check the parts list to make sure nothing is missing. Dispose of packaging materials properly. Please recycle whenever possible.

**You will need the following tools (not included):** Phillips screwdriver.

# Parts and Hardware

 <p><b>A – Fireplace</b></p>	 <p><b>D – ST4x12 Metal Screws</b></p>  <p><b>C – Remote Control</b></p>	 <p><b>D- Plastic Strip</b></p>
 <p><b>E- Log-set</b></p>	 <p><b>F- Crystals (Small &amp; Big)</b></p>	 <p><b>G - Pebbles</b></p>

# Specification and Dimension



## PRODUCT DIMENSIONS

Model Number	A	B	C	D	E	F	G
EF-ARIS28	28"	7.3"	27.5"	25.2"	6.5"	25.1"	19.7"
	71.1cm	18.4cm	69.8cm	64cm	16.5cm	63.8cm	50cm
EF-ARIS50	49"	7.3"	23.6"	46.2"	6.5"	46"	13"
	125cm	18.4cm	60cm	117.5cm	16.5cm	117.2cm	33cm

## Installation and Assembly

Your appliance is a recessed and/or mantel installed appliance. Select a suitable location that is not susceptible to moisture and is away from drapes, furniture and high traffic areas.

**NOTE: Follow all National and local electrical codes.**

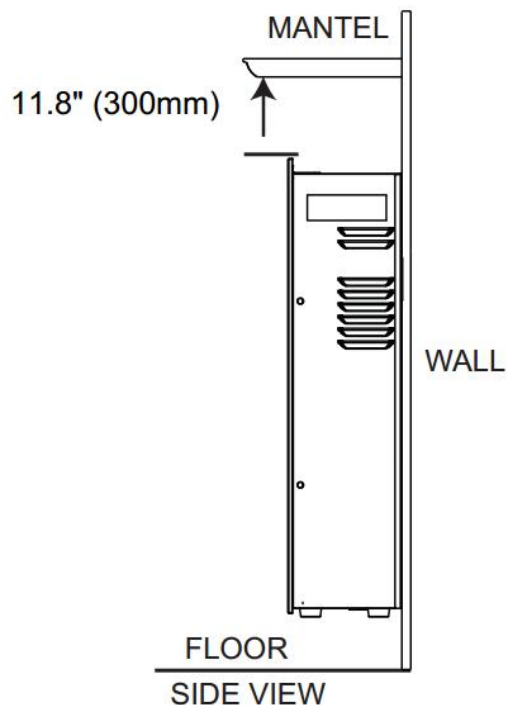
### MINIMUM CLEARANCE TO COMBUSTIBLES

Measurements are taken from the glass front.			
Bottom	0"	Top	11.8" (300mm) to mantel
Sides	0"	Top	11.8" (300mm) to ceiling
Back	0"		

### MINIMUM MANTEL CLEARANCES

## WARNING

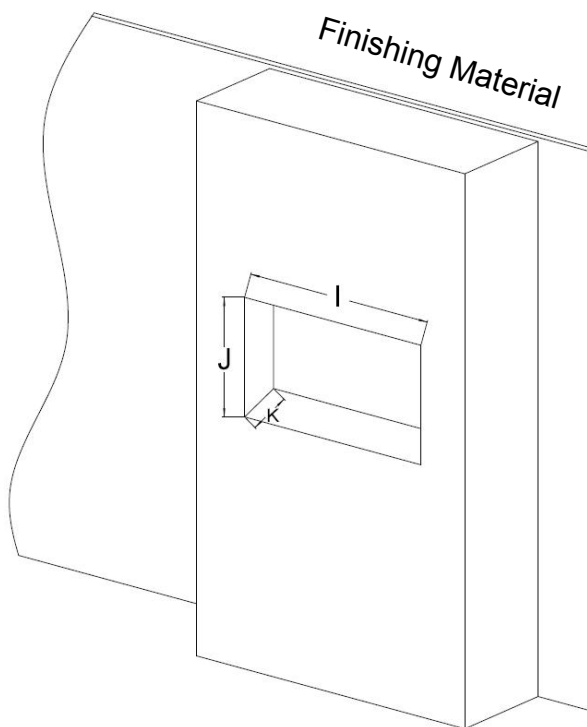
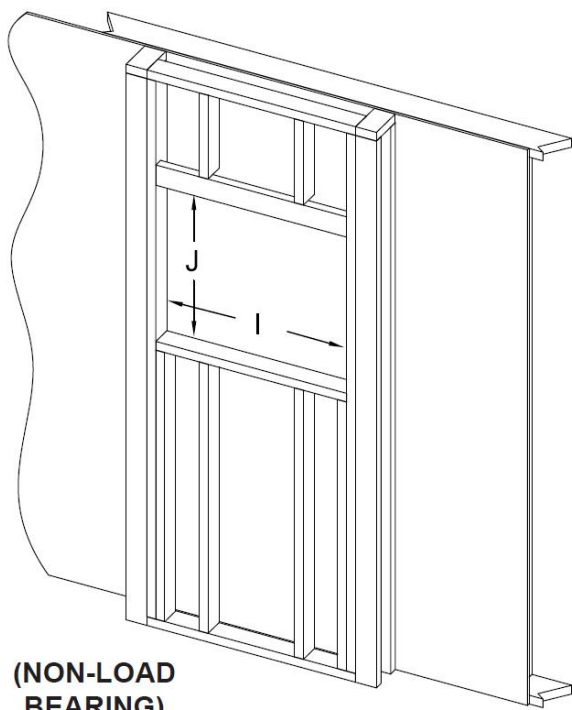
**WHEN USING PAINT OR LACQUER TO FINISH THE MANTEL, THE PAINT OR LACQUER MUST BE HEAT RESISTANT TO PREVENT DISCOLOURATION.**



# Pre-installation Built-in

Due to the many different materials used on different walls, it is highly recommended that you consult your local builder before you install this appliance.

- A. Select a location that is not prone to moisture and is located at least 36" (94.1cm) away from combustible materials such as curtain drapes, furniture, bedding, paper, etc.
- B. Create a rough-in frame with electrical (see below "framing").
- C. Remove the front glass (see "front glass removal / installation" section).
- D. Hold the appliance up to ensure it will fit into the framing.



Framing Hole Size			
Model Number	I	J	K
EF-CAPR50	25-3/4" [655mm]	24" [610mm]	7-1/8" [180mm]
EF-CAPR60	46-7/8" [1190mm]	24" [610mm]	7-1/8" [180mm]

# Front Glass Panel Removal

- A.** Remove the screws from the top of the glass. Set the screws aside. (Fig. 1)
- B.** Carefully lift the front glass up and away from the appliance. Place it face down on a soft, non-abrasive surface.
- C.** Reverse these steps to install the front glass.

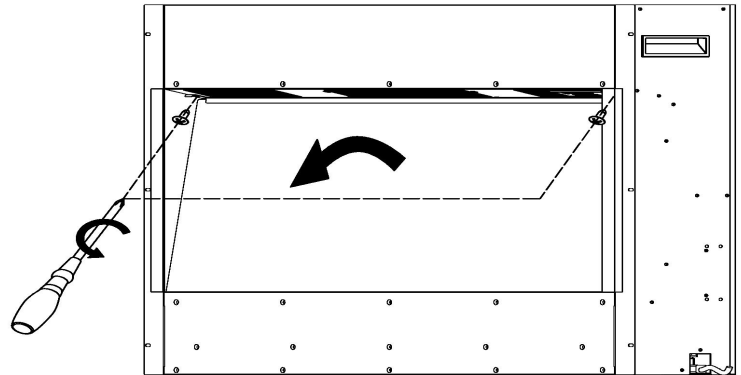


Fig. 1

# Wall Recessed installation

- A.** Power the fireplace by plugging into the wall receptacle.
- B.** Insert the fireplace into the rough-in frame and then secure it by installing 4 wood screws (A) through the holes (Fig. 2-1, Fig 2-2).
- C.** Install the logs-set or put the crystals & pebbles into the ember bed, then re-install the front glass. See below section for log-set, crystals, pebbles installation.

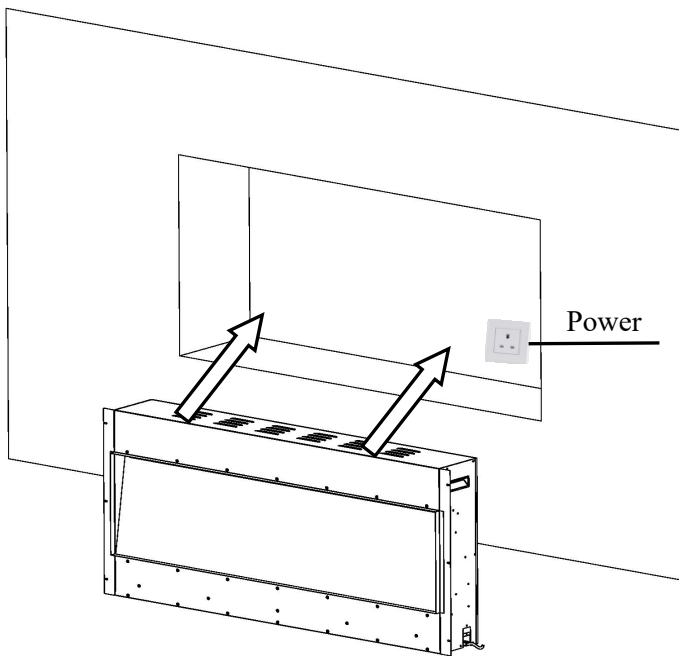


Fig. 2-1

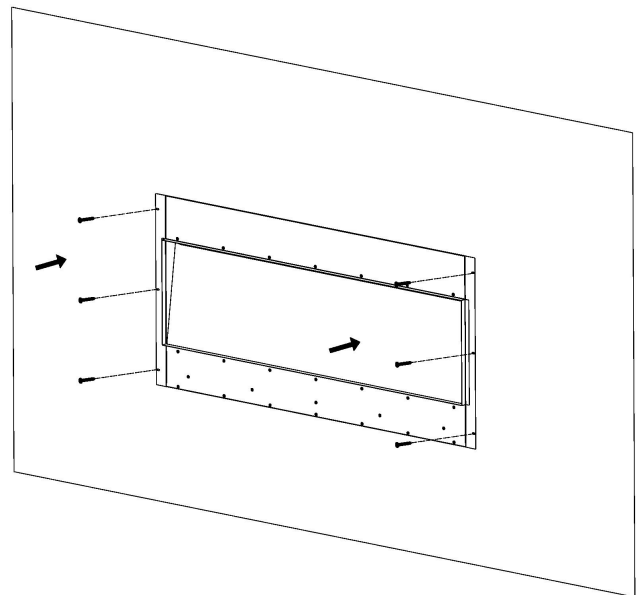
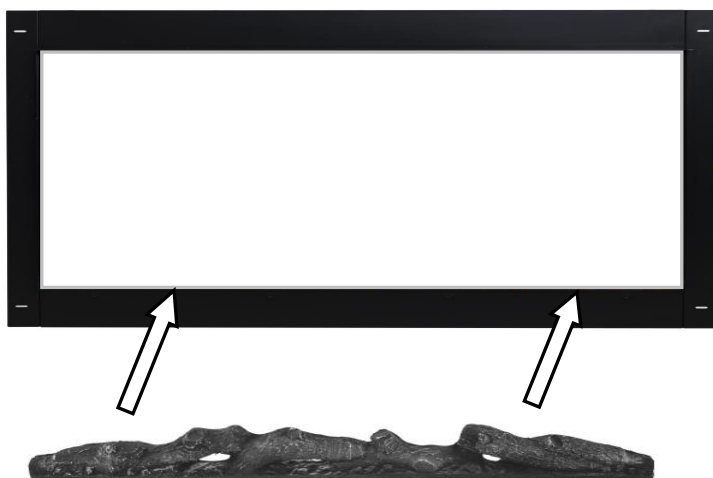


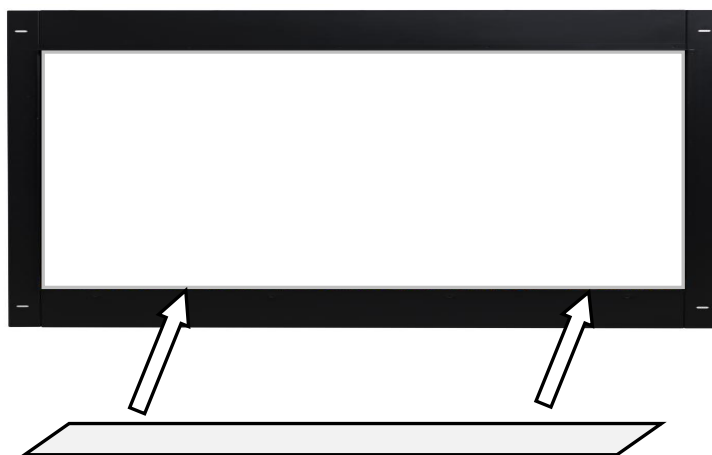
Fig. 2-2

# Log-set / Crystal / Pebble Ember Installation

- A. Glass front must be removed and the appliance must be installed in its final location before the log-set / crystal / pebble are installed. (See above section for glass removal)
- B. Remove the log-set (E) from the package, put it to the fireplace designed place. **Fig 3-1.**
- C. To switch to crystals. Place the white plastic tray (D) to the fireplace ember bed. Then carefully place the clear crystals (F) or pebbles (G) into the plastic strip and apply an even layer from side to side. **Fig 3-2, Fig 3-3, Fig 3-4.**
- D. Re-install the front glass



Log-set (Fig 3-1)



White Plastic Strip (Fig 3-2)



Fig 3-3. (Clear Crystals)



Fig 3-4. (White Pebbles)

# Operation



Read and understand this entire owner's manual, including all safety information, before plugging in or using this product. Failure to do so could result in electric shock, fire, serious injury, or death.

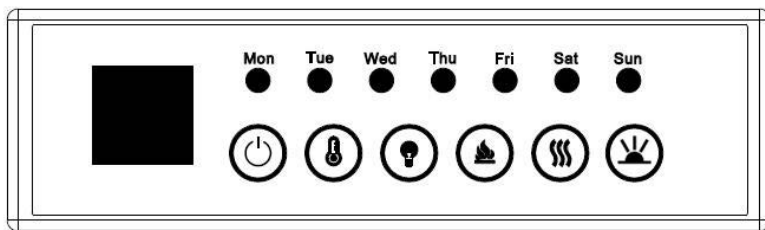
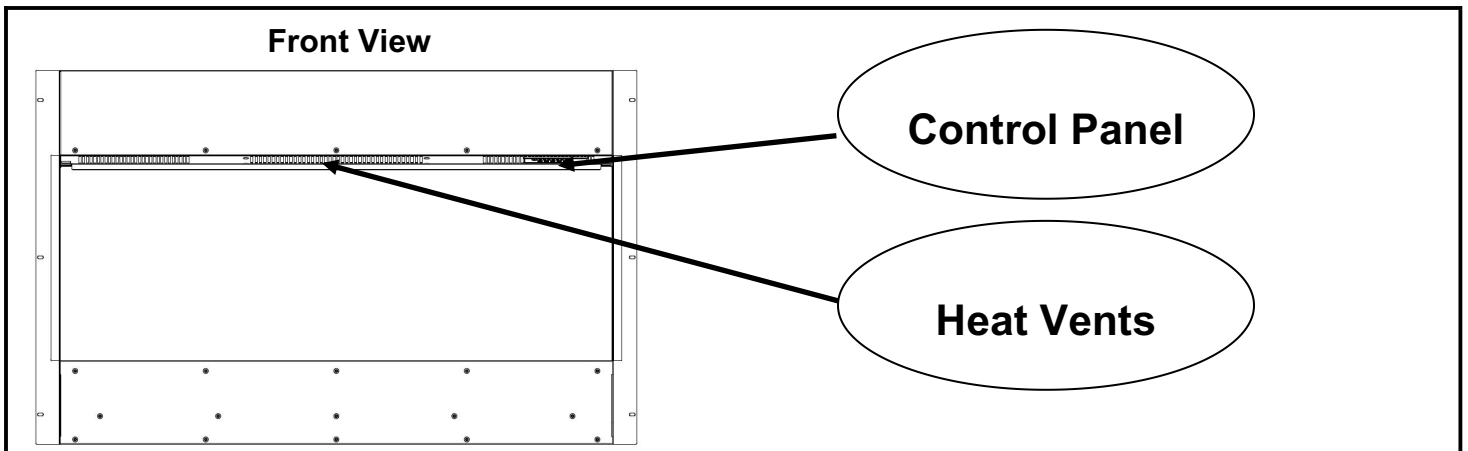
## Power

Plug the power cord into a 220-240V 50Hz outlet (see **IMPORTANT SAFETY INFORMATION** on Pages 2 and 3). Make sure the outlet is in good condition and that the plug is not loose. **NEVER** exceed the maximum amperage for the circuit. **DO NOT** plug other appliances into the same circuit.

## Methods of Operation

This electric fireplace can be operated by the CONTROL PANEL, located on the Front of the fireplace (see figure below), or by the battery-powered REMOTE CONTROL.

Before operating, please review the **IMPORTANT SAFETY INFORMATION** on Pages 2 and 3, and heed all warnings.








Control Panel




Remote Control






## Control Panel / Remote Control Operation







BUTTON	FUNCTION	ACTION & INDICATION
 <b>POWER</b>	<p><b>ON:</b> Enables control panel functions and remote control. Turns on flame effect.</p> <p><b>OFF:</b> Disables control panel functions and remote control. Turns off flame effect.</p>	<ol style="list-style-type: none"> <li><b>Press once.</b> Indicator light turns on. Power turns on. All functions enabled.</li> <li><b>Press again.</b> Flame effect turns off. Power and all functions turn off.</li> </ol>
 <b>FLAME BRIGHTNESS</b>	<p><b>FLAME button:</b> Makes flame effect dimmer and brighter.</p> <p><b>NOTE:</b> Flame effect stays on until power button is turned off. Flame effect must be on for heater to turn on.</p>	<ol style="list-style-type: none"> <li><b>Press once.</b> Indicator light turns on. Flame brightness effect starts changing.</li> <li><b>Press again.</b> until desired setting is reached.</li> </ol>
 <b>FLAME COLOR</b>	<p><b>COLOUR button:</b> Makes the colour flame effect changing.</p> <p><b>NOTE:</b> Colour effect stays on until power button is turned off. Colour flame effect must be on for heater to turn on.</p>	<ol style="list-style-type: none"> <li><b>Press once.</b> Indicator light turns on. Flame colour effect gets changing.</li> <li><b>Press again.</b> until desired setting is reached. Display window shows setting. In total 6 colors for flame.</li> </ol>
 <b>EMBER LIGHTS</b>	<p><b>LED Ember light button:</b> Makes the color on bottom effect gets changing.</p> <p><b>NOTE:</b> Ember color effect stays on until power button is turned off.</p> <p><b>NOTE:</b> this fireplace is with memory function for LED ember lights.</p>	<ol style="list-style-type: none"> <li><b>Press once.</b> LED ember light color effect gets changing.</li> <li><b>Press again</b> until desired setting is reached. In total 10 colors for EMBER.</li> <li><b>Auto-cycle function:</b> When pressing with the 11<sup>th</sup> time, the LED ember light will do auto-cycling (<b>NOTE: It will take 15 seconds to switch between colors.</b>)</li> </ol>
 <b>HEATER</b>	<p><b>HEATER button:</b> Turns heater on and off.</p> <p><b>NOTE:</b> The heater only works when the flame effect is on. If the flame effect is off, the heater will not turn on.</p> <p><b>NOTE:</b> To prevent overheating, the heater blows cool air for 10 seconds after it turns off.</p>	<ol style="list-style-type: none"> <li><b>Press once.</b> Indicator lights up. Fan blows cool air for 10 seconds. Low heater turns on and blows warm air.</li> <li><b>Press again.</b> Indicator lights up. High heater turns on and blows hot air.</li> <li><b>Press again.</b> Heaters turn off. The fan blows cool air, then turns off.</li> </ol>

  <b>TEMP</b>	<b>TEMPERATURE button:</b> Turns heater on and off.						<b>1. Press once.</b> Indicator lights up. Temperature goes to 18 °C <b>2. Press again.</b> until desired setting is reached. Digital display shows setting circles as below:						
	<b>NOTE:</b> Press & Hold the button for 5 seconds, the temperature setting will switch from °C to °F. Same way from °F to °C.												
	NO	0	1	2	3	4	5	6	7	8	9	10	N
	°C	20	21	22	23	24	25	26	27	28	29	30	C
°F	68	70	72	74	76	78	80	82	84	86	88	F	

## Remote Control Operation



BUTTON	FUNCTION	ACTION & INDICATION																																																				
  <b>POWER</b>	<b>ON:</b> Enables control panel functions and remote control. Turns on flame effect. <b>OFF:</b> Disables control panel functions and remote control. Turns off flame effect.	<b>1. Press once.</b> Indicator light turns on. Power turns on. All functions enabled. <b>2. Press again.</b> Flame effect turns off. Unit goes to standby. All functions turn off.																																																				
  <b>TEMP</b>	<b>1. Press once:</b> Touch panel indicator becomes active. <b>2. Press again</b> until desired setting is reached. Digital display shows setting circles as below.																																																					
	<table border="1"> <tr> <td>NO</td><td>0</td><td>1</td><td>2</td><td>3</td><td>4</td><td>5</td><td>6</td><td>7</td><td>8</td><td>9</td><td>10</td><td>N</td> </tr> <tr> <td>°C</td><td>20</td><td>21</td><td>22</td><td>23</td><td>24</td><td>25</td><td>26</td><td>27</td><td>28</td><td>29</td><td>30</td><td>C</td> </tr> <tr> <td>°F</td><td>68</td><td>70</td><td>72</td><td>74</td><td>76</td><td>78</td><td>80</td><td>82</td><td>84</td><td>86</td><td>88</td><td>F</td> </tr> <tr> <td></td><td></td><td></td><td></td><td></td><td></td><td></td><td></td><td></td><td></td><td></td><td></td><td></td> </tr> </table>	NO	0	1	2	3	4	5	6	7	8	9	10	N	°C	20	21	22	23	24	25	26	27	28	29	30	C	°F	68	70	72	74	76	78	80	82	84	86	88	F														
NO	0	1	2	3	4	5	6	7	8	9	10	N																																										
°C	20	21	22	23	24	25	26	27	28	29	30	C																																										
°F	68	70	72	74	76	78	80	82	84	86	88	F																																										
<b>NOTE:</b> Press the button for 5 seconds to switch between ° C and ° F																																																						
  <b>TIMER</b>	<b>TIMER button:</b> Controls timer settings to turn off fireplace at selected time. Settings range from 0.5 hours to 8 hours.	<b>1. Press once.</b> Indicator light turns on. Timer is set to 0.5 hours. <b>2. Press again until desired setting is reached.</b> Indicator lights show setting.																																																				

 <b>SPEED</b>	<p><b>Flame speed button:</b> Controls the speed of the flame. There are 3 flame speed settings: 01 (slowest), 02 (Medium), 03 (fastest).</p>	<ol style="list-style-type: none"> <li><b>Press once.</b> Flame speed gets changing.</li> <li><b>Press again</b> until desired setting is reached. Display shows the setting.</li> </ol> <p>The Default setting is 03 (fastest speed)</p>
 <b>FLAME COLOR</b>	<p><b>Flame color button:</b> Makes the color flame effect changing.</p> <p><b>NOTE:</b> color effect stays on until power button is turned off. Color flame effect must be on for heater to turn on.</p> <p><b>NOTE:</b> this fireplace is with memory function for flame.</p>	<ol style="list-style-type: none"> <li><b>Press once.</b> Flame color effect gets changing.</li> <li>Press again until desired setting is reached. In total 6 colors for flame.</li> </ol>
 <b>FLAME BRIGHTNESS</b>	<p><b>FLAME button:</b> Makes flame effect dimmer and brighter.</p> <p><b>NOTE:</b> Flame effect stays on until power button is turned off. Flame effect must be on for heater to turn on.</p>	<ol style="list-style-type: none"> <li><b>Press once.</b> Indicator light turns on. Flame brightness effect gets changing.</li> <li><b>Press again.</b> until desired setting is reached.</li> </ol>
 <b>EMBER LIGHTS</b>	<p><b>LED Ember light button:</b> Makes the color on bottom effect gets changing.</p> <p><b>NOTE:</b> Ember color effect stays on until power button is turned off.</p> <p><b>NOTE:</b> this fireplace is with memory function for LED ember lights.</p>	<ol style="list-style-type: none"> <li><b>Press once.</b> LED ember light color effect gets changing.</li> <li><b>Press again</b> until desired setting is reached. In total 10 colors for EMBER.</li> <li><b>Auto-cycle function:</b> When pressing with the 11<sup>th</sup> time, the LED ember light will do auto-cycling (<b>NOTE: It will take 15 seconds to switch between colors.</b>)</li> </ol>
 <b>EMBER BRIGHTNESS</b>	<p><b>LED Ember light brightness button:</b> Makes the LED ember lights on bottom effect gets changing.</p> <p><b>NOTE:</b> LED Ember light brightness effect stays on until power button is turned off.</p>	<ol style="list-style-type: none"> <li><b>Press once.</b> LED ember light color effect gets changing.</li> <li><b>Press again</b> until desired setting is reached. In total 5 levels.</li> </ol> <p><b>From L1 - L2 - L3 - L4 - L5</b></p>
 <b>DOWN LIGHTS</b>	<p><b>LED Dow light button:</b> Makes the color on top gets changing.</p> <p><b>NOTE:</b> LED down light color effect stays on until power button is turned off.</p> <p><b>NOTE:</b> this fireplace is with memory function for LED down lights.</p>	<ol style="list-style-type: none"> <li><b>Press once.</b> LED down light color effect gets changing.</li> <li><b>Press again</b> until desired setting is reached. In total 10 colors for down light.</li> <li><b>Auto-cycle function:</b> When pressing with the 11<sup>th</sup> time, the LED ember light will do auto-cycling (<b>NOTE: It will take 15 seconds to switch between colors.</b>)</li> </ol>

## NOTICE

When the heater is first turned on, a slight odour may be present. This is normal and should not occur again unless the heater is not used for a long period of time.

## NOTICE

To improve operation, **aim** the remote control at the front of the fireplace. **DO NOT press the buttons too quickly.** Give the unit time to respond to each command.

## Temperature Limiting Control

This heater is equipped with a Temperature Limiting Control. Should the heater reach an unsafe temperature, the heater will automatically turn OFF. To reset:

1. Unplug the power cord from the outlet.
2. Turn the ON/OFF switch on the CONTROL PANEL to OFF. **Wait 5 minutes.**
3. Inspect the fireplace to make sure no vents are blocked, or clogged with dust or lint. If they are, use a vacuum to clean the vent areas.
4. With the POWER switch in the OFF position, plug the power cord back into the outlet.
5. If the problem continues, have your outlet and wiring inspected by a professional.

## Remote Control Battery Information

- This remote control uses **one CR2025 battery ( Included).**



**NEVER** dispose of batteries in **fire**. Failure to observe this precaution **may result in an explosion**. Dispose of batteries at your local hazardous material processing center.

## Care and Maintenance

### Cleaning



**ALWAYS** turn the heater **OFF** and **unplug the power cord from the outlet** before cleaning, performing maintenance, or moving this fireplace. Failure to do so could result in **electric shock, fire, or personal injury**.



**NEVER** immerse in **water** or **spray with water**. Doing so could result in **electric shock, fire, or personal injury**.

### Metal:

- Buff using a soft cloth, slightly dampened with a citrus oil-based product.
- **DO NOT** use brass polish or household cleaners as these products will damage the metal trim.

### Glass:

- Use a good quality glass cleaner sprayed onto the cloth or towel. Dry thoroughly with a paper towel or lint-free cloth.
- **NEVER** use abrasive cleansers, liquid sprays, or any cleaner that could scratch the surface.

### Vents:

- Use a vacuum or duster to remove dust and dirt from the heater and vent areas.

## Plastic:

- Wipe gently with a slightly damp cloth and a mild solution of dish soap and warm water.
- **NEVER** use abrasive cleansers, liquid sprays, or any cleaner that could scratch the surface.

## Maintenance



**Risk of electric shock! DO NOT OPEN any panels. No user-serviceable parts inside!**



**ALWAYS** turn the heater **OFF** and **unplug the power cord from the outlet** before cleaning, performing maintenance, or moving this fireplace. Failure to do so could result in **electric shock, fire, or personal injury.**

## Electrical and Moving Parts:

- The fan motors are lubricated at the factory and will not require lubrication.
- Electrical components are integrated in the fireplace and are not serviceable by the consumer.
- **Storage:**
- Store heater in a clean dry place when not in use.



## WEEE:

### Meaning of crossed –out wheeled dustbin:

Do not dispose of electrical appliances as unsorted municipal waste, use separate collection facilities. Contact you local government for information regarding the collection systems available. If electrical appliances are disposed of in landfills or dumps, hazardous substances can leak into the groundwater and get into the food chain, damaging your health and well-being.

When replacing old appliances with new ones, the retailer is legally obligated to take back your old appliance for disposals at least free of charge.